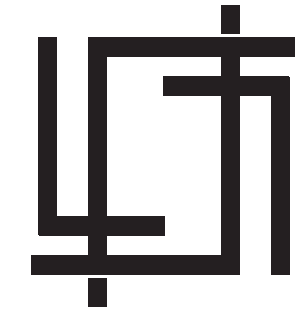




2024 FRAMELESS CABINET CATALOG



BOXY CABINETRY

Frameless Cabinet

Revised September 10th, 2024

CONTENTS

05	Our Story
09	Door Styles
14	Cabinet Planning
17	Cabinet Construction
20	Door & Overlay Measurements
24	Additional Components
26	Specifications
70	Warranty
73	Care & Maintenance



1

OUR STORY

Boxy Cabinetry was born out of decades of experience and expertise in the kitchen cabinet industry. Our mission is to create exquisite, high quality kitchen cabinets, so you can have peace of mind knowing your kitchen will last for generations.

At Boxy, we constantly evolve and expand our product lines, to adapt with the changing design trends. Boxy offers a wide range of kitchen cabinet designs, including framed and frameless constructions, as well as regular and slim shaker door styles. Our goal is to provide plenty of options, so you can build the kitchen of your dreams.

We believe that quality is as important as appearance, and we are committed to adopting cutting edge technologies, to make our superior cabinets. Every component of our cabinets is carefully milled, finished, and inspected to offer the best quality products.





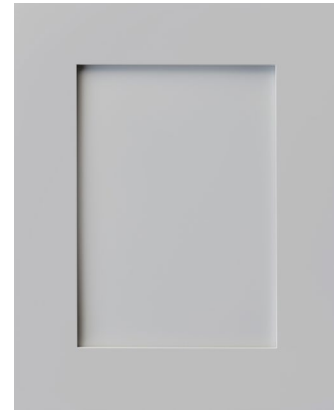
2

DOOR STYLES

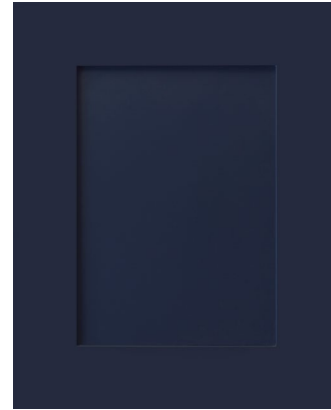
2000 SERIES



CODE BC2001
COLOR Ivory White
FINISH Paint
SPECIES Birch



CODE BC2002
COLOR Dove Gray
FINISH Paint
SPECIES Birch



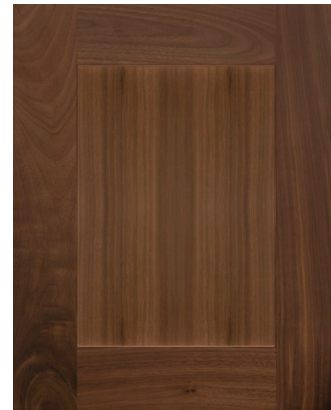
CODE BC2003
COLOR Navy Blue
FINISH Paint
SPECIES Birch



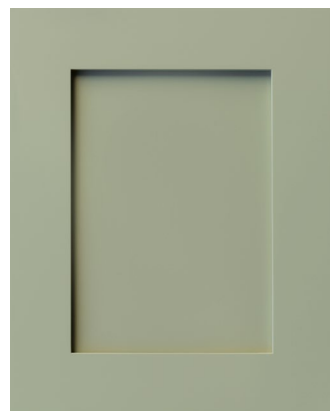
CODE BC2004
COLOR Mingo Oak
FINISH Stain
SPECIES White Oak



CODE BC2005
COLOR Beaman Oak
FINISH Stain
SPECIES White Oak



CODE BC2006*
COLOR Black Walnut
FINISH Stain
SPECIES Walnut



CODE BC2007
COLOR Olive Green
FINISH Paint
SPECIES Birch

*Custom order only

3000 SERIES



CODE BC3001
COLOR Ivory White
FINISH Paint
SPECIES Birch



CODE BC3002
COLOR Dove Gray
FINISH Paint
SPECIES Birch



CODE BC3003
COLOR Navy Blue
FINISH Paint
SPECIES Birch



CODE BC3004
COLOR Mingo Oak
FINISH Stain
SPECIES White Oak



CODE BC3005*
COLOR Beaman Oak
FINISH Stain
SPECIES White Oak



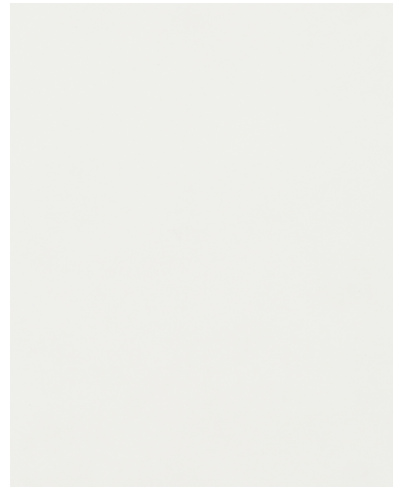
CODE BC3006*
COLOR Black Walnut
FINISH Stain
SPECIES Walnut



CODE BC3007*
COLOR Olive Green
FINISH Paint
SPECIES Birch

*Custom order only

4000 SERIES



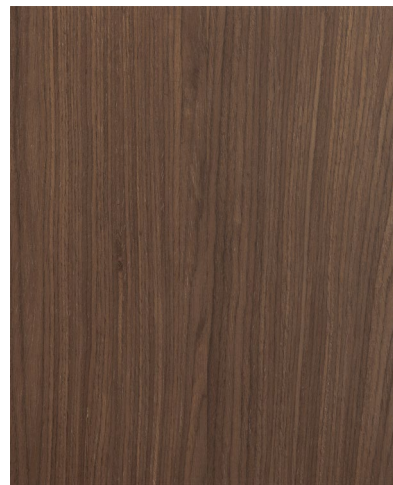
CODE
COLOR
FINISH
WOOD

BC4011
Arctic White
PET
MDF



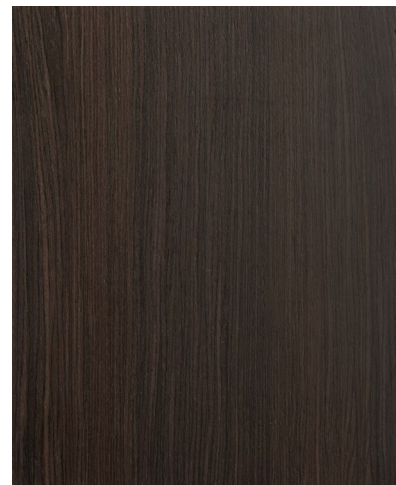
CODE
COLOR
FINISH
WOOD

BC4012
Dune Oak
Wood Veneer
MDF



CODE
COLOR
FINISH
WOOD

BC4013
Jasper Walnut
Wood Veneer
MDF



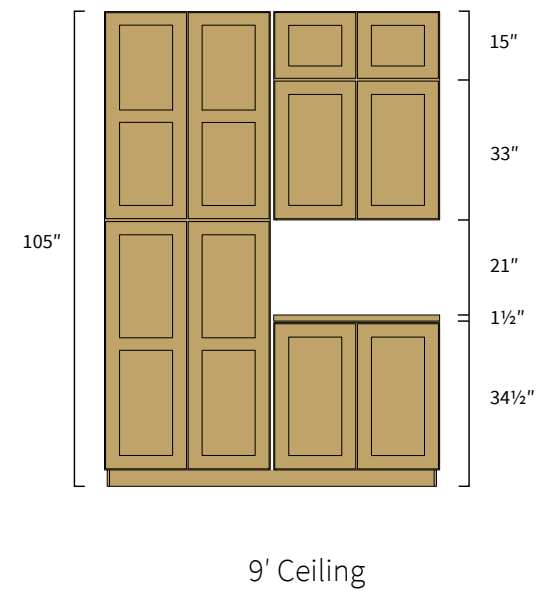
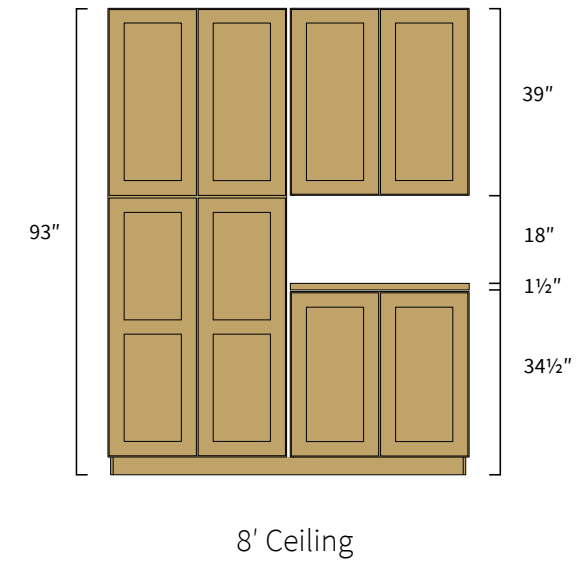
CODE
COLOR
FINISH
WOOD

BC4014
Espresso Oak
Wood Veneer
MDF



3

CABINET PLANNING

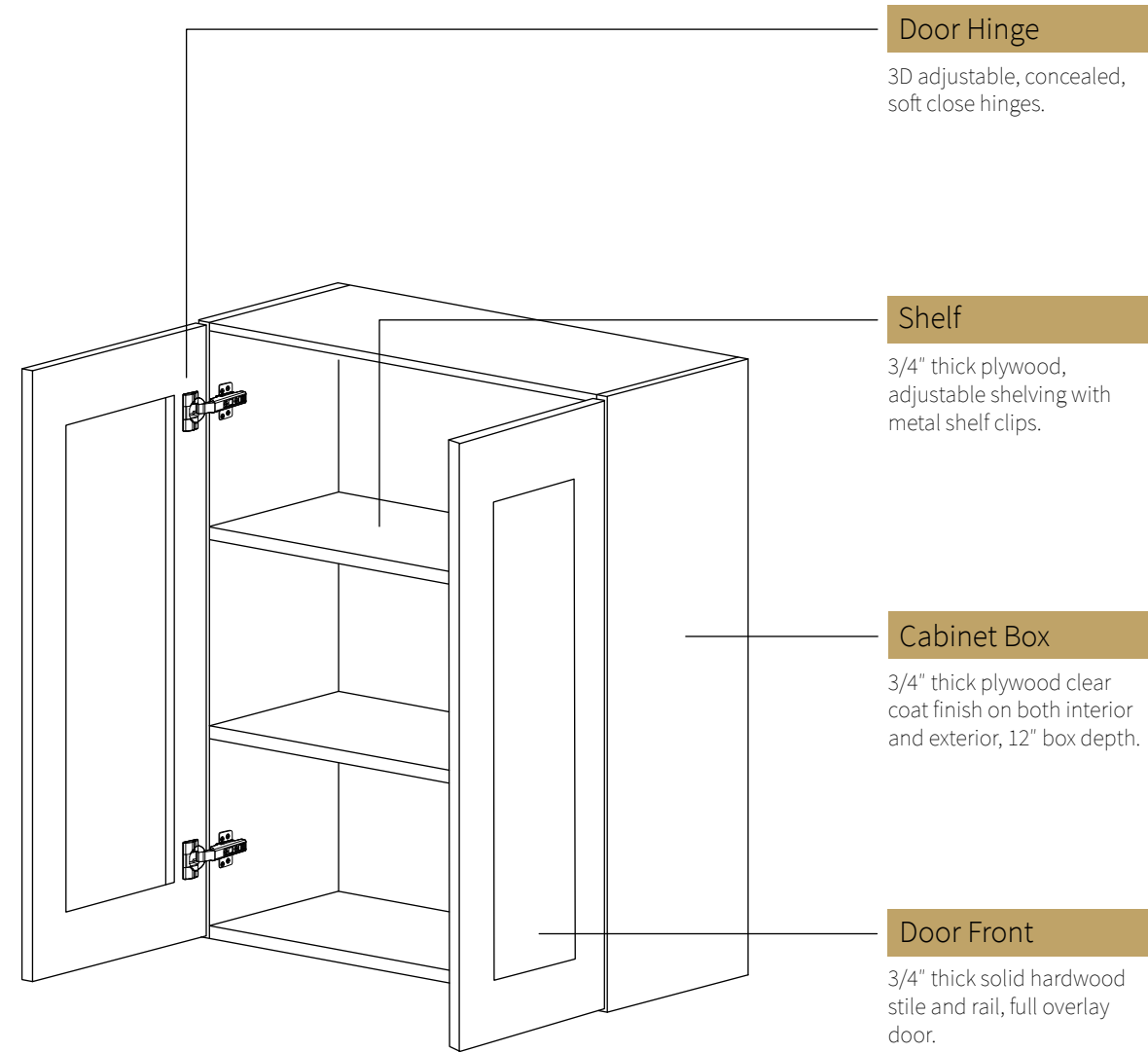




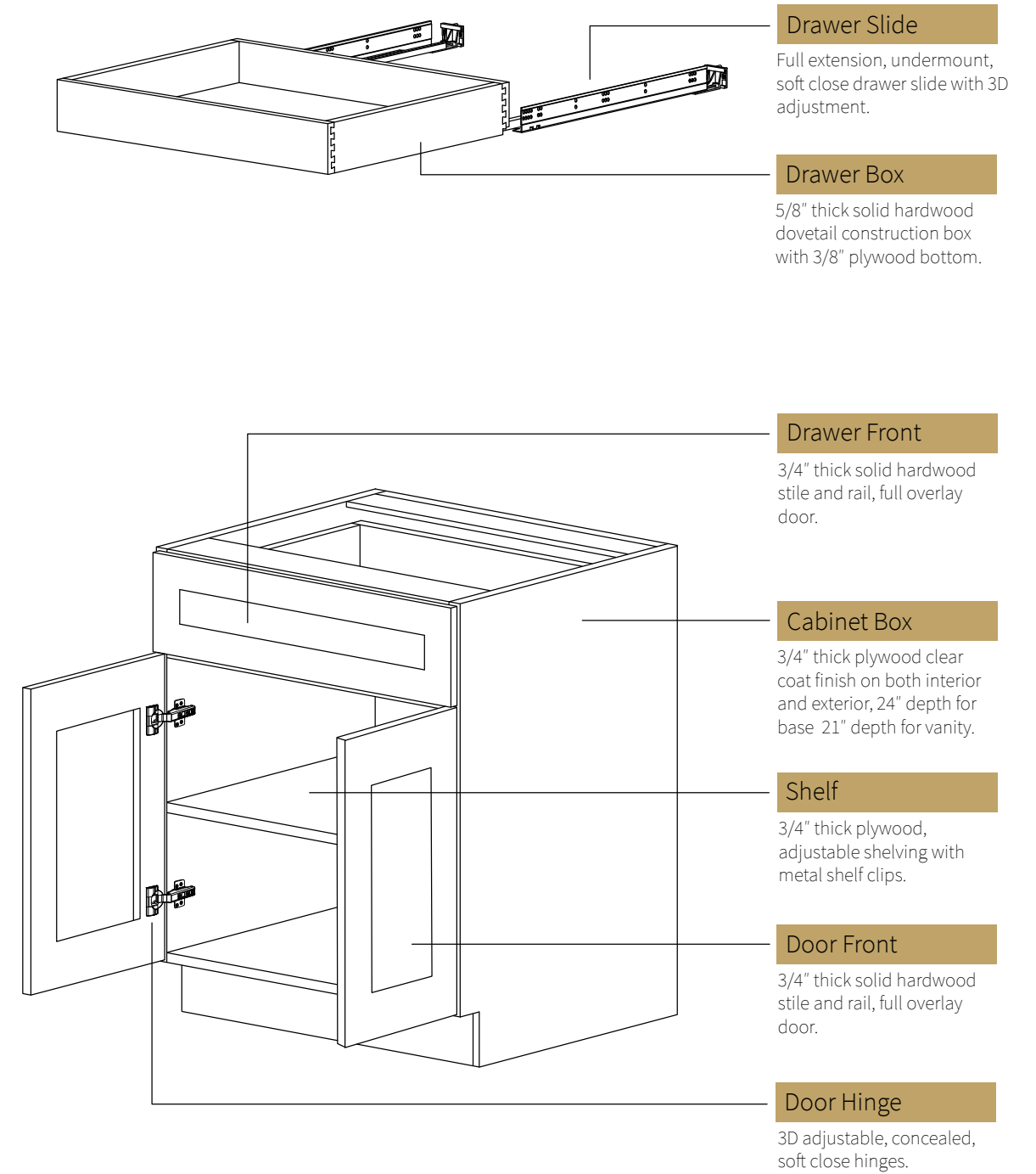
4

CABINET CONSTRUCTION

WALL CABINET FEATURE

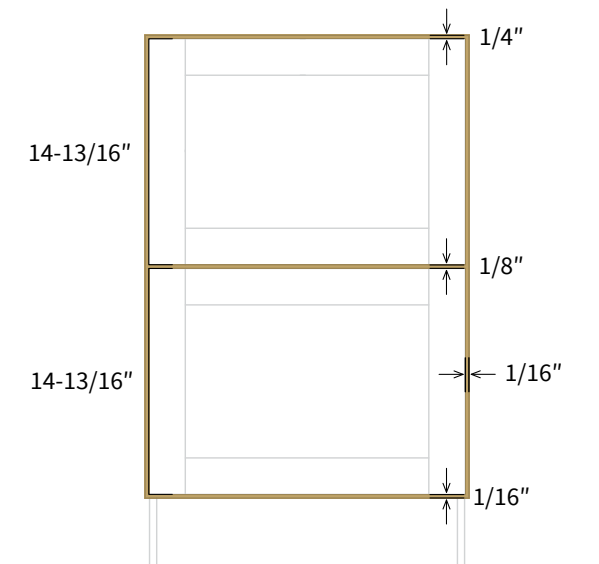
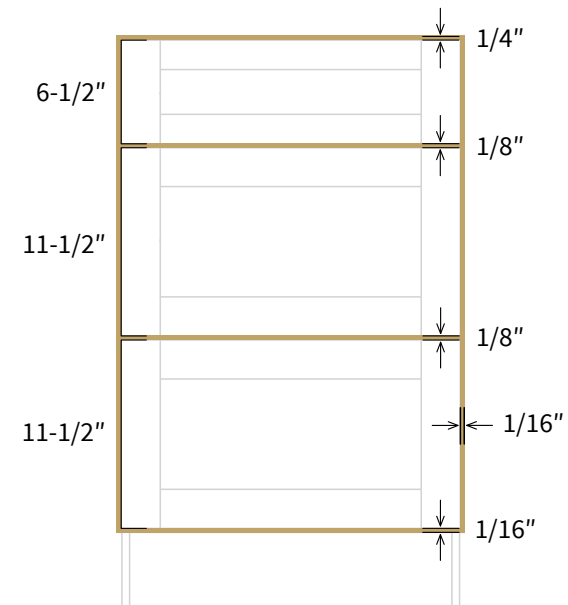
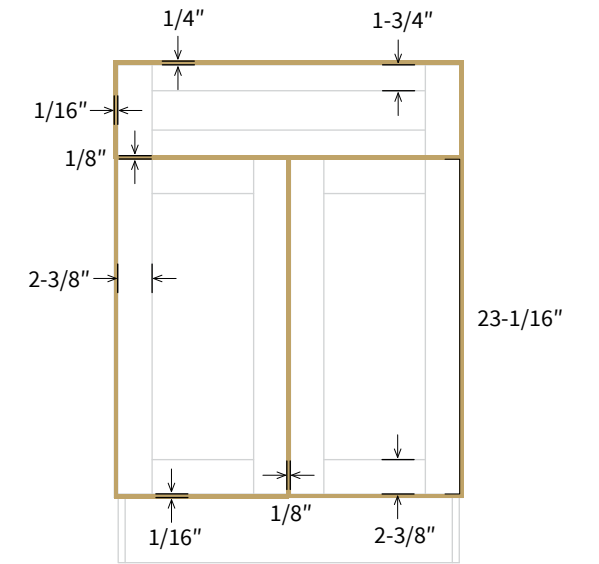
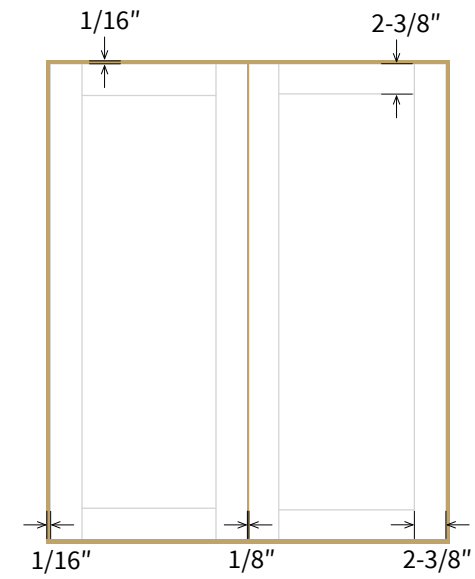


BASE CABINET FEATURE



5

DOOR & OVERLAY MEASUREMENTS



*Slim shaker 3/4" rail/stile.



6

ADDITIONAL COMPONENTS



Crown Molding

Wall Filler

Door Pull

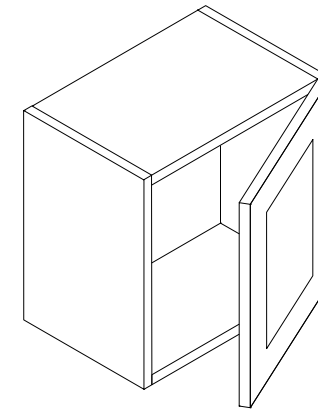
Finish Panel

Drawer Pull

Toe Kick

7

SPECIFICATIONS

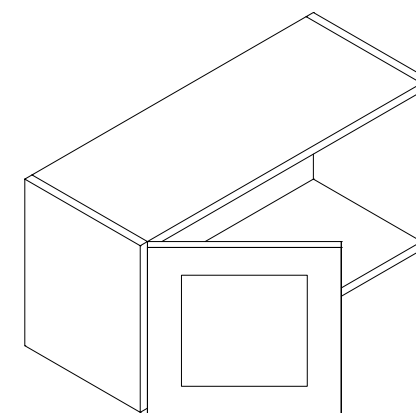


Wall Single Door 15" High

Item Code	Dimension
W1515	15"W x 15"H x 12"D
W1815	18"W x 15"H x 12"D
W2115	21"W x 15"H x 12"D

Features

One door
No shelf



Wall Double Door 15" High

Item Code	Dimension
W2415	24"W x 15"H x 12"D
W2715	27"W x 15"H x 12"D
W3015	30"W x 15"H x 12"D
W3315	33"W x 15"H x 12"D
W3615	36"W x 15"H x 12"D
W4215	42"W x 15"H x 12"D

Features

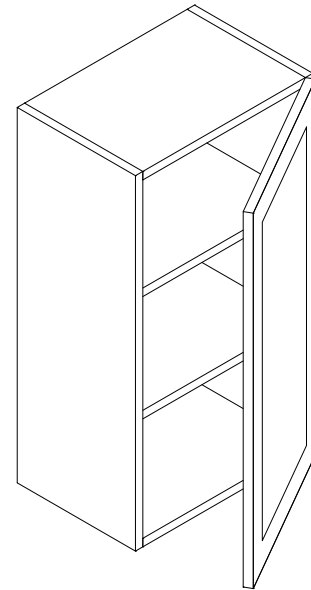
Two doors
No shelf

Wall Single Door 33" High

Item Code	Dimension
W0933	9"W x 33"H x 12"D
W1233	12"W x 33"H x 12"D
W1533	15"W x 33"H x 12"D
W1833	18"W x 33"H x 12"D
W2133	21"W x 33"H x 12"D

Features

One door
Two shelves

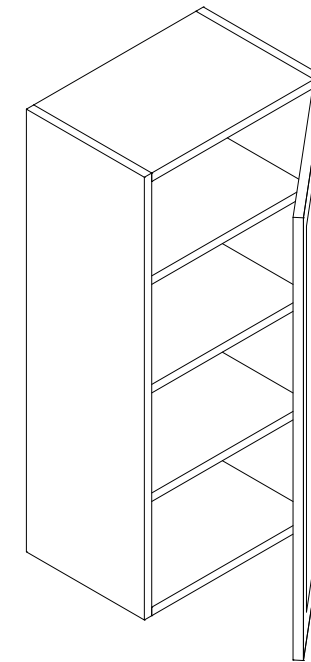


Wall Single Door 39" High

Item Code	Dimension
W0939	9"W x 39"H x 12"D
W1239	12"W x 39"H x 12"D
W1539	15"W x 39"H x 12"D
W1839	18"W x 39"H x 12"D
W2139	21"W x 39"H x 12"D

Features

One door
Three shelves

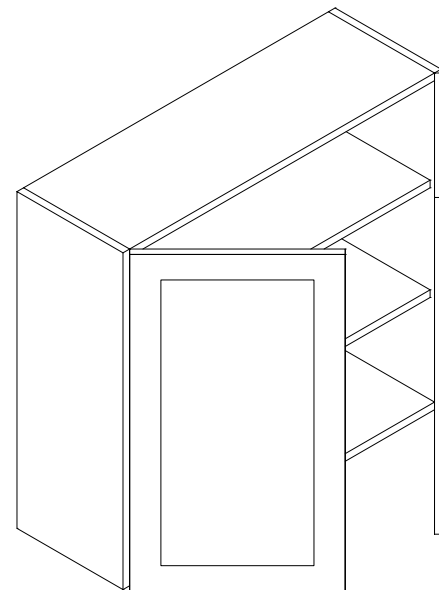


Wall Double Door 33" High

Item Code	Dimension
W2433	24"W x 33"H x 12"D
W2733	27"W x 33"H x 12"D
W3033	30"W x 33"H x 12"D
W3333	33"W x 33"H x 12"D
W3633	36"W x 33"H x 12"D
W4233	42"W x 33"H x 12"D

Features

Two doors
Two shelves

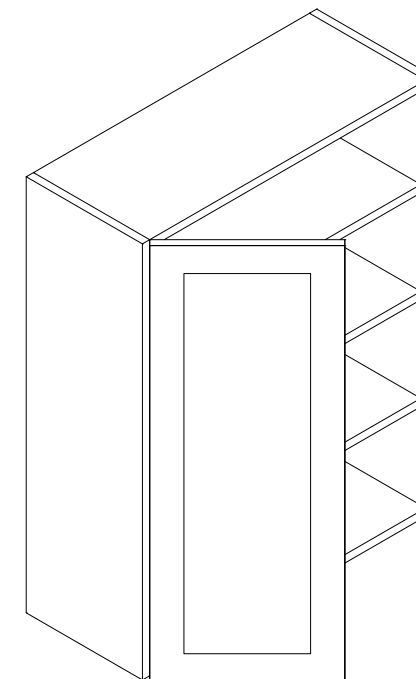


Wall Double Door 39" High

Item Code	Dimension
W2439	24"W x 39"H x 12"D
W2739	27"W x 39"H x 12"D
W3039	30"W x 39"H x 12"D
W3339	33"W x 39"H x 12"D
W3639	36"W x 39"H x 12"D
W4239	42"W x 39"H x 12"D

Features

Two doors
Three shelves

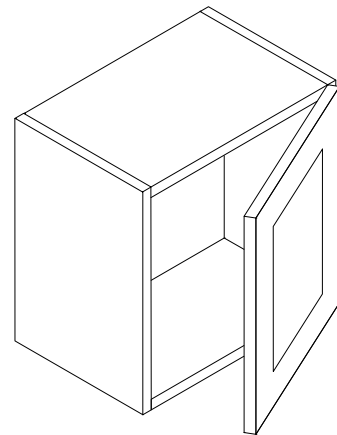


Wall Bridge Single Door 21" Wide

Item Code	Dimension
W2112	21"W x 12"H x 12"D
W2118	21"W x 18"H x 12"D
W2121	21"W x 21"H x 12"D
W2124	21"W x 24"H x 12"D

Features

One door
No shelf

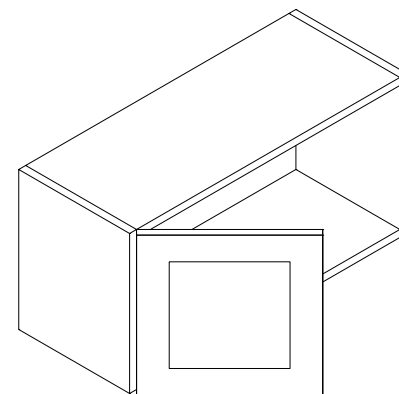


Wall Bridge Double Door 30" Wide

Item Code	Dimension
W3012	30"W x 12"H x 12"D
W3018	30"W x 18"H x 12"D
W3021	30"W x 21"H x 12"D
W3024	30"W x 24"H x 12"D
W3027	30"W x 27"H x 12"D

Features

Two doors
No shelf

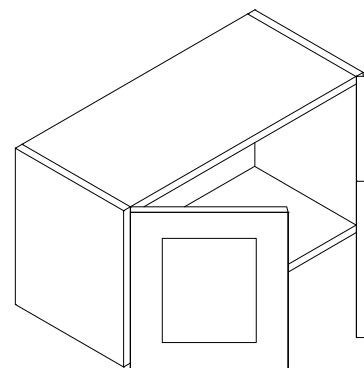


Wall Bridge Double Door 24" Wide

Item Code	Dimension
W2412	24"W x 12"H x 12"D
W2418	24"W x 18"H x 12"D
W2421	24"W x 21"H x 12"D
W2424	24"W x 24"H x 12"D

Features

Two doors
No shelf

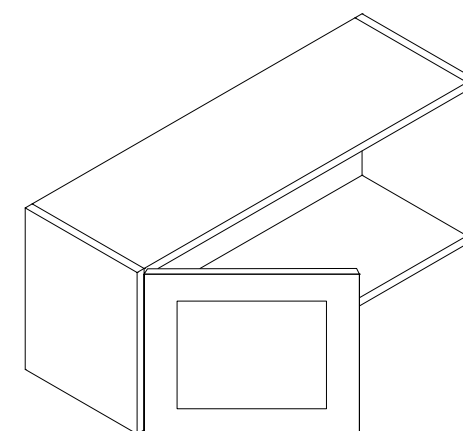


Wall Bridge Double Door 36" Wide

Item Code	Dimension
W3612	36"W x 12"H x 12"D
W3618	36"W x 18"H x 12"D
W3621	36"W x 21"H x 12"D
W3624	36"W x 24"H x 12"D
W3627	36"W x 27"H x 12"D

Features

Two doors
No shelf

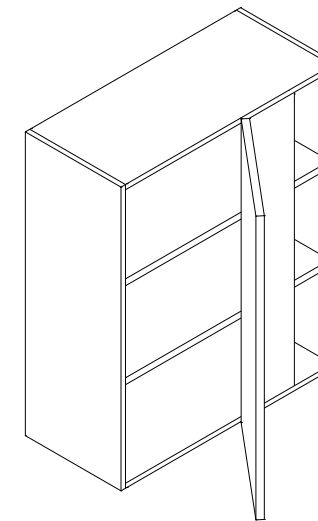
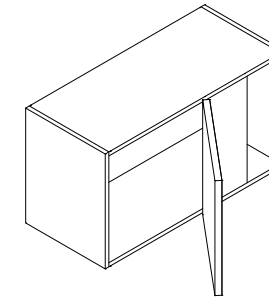
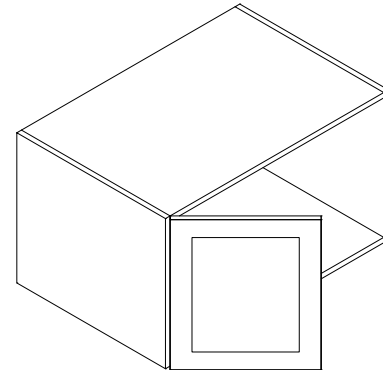


Wall Refrigerator Double Door 21" High

Item Code	Dimension
W332124	33"W x 21"H x 24"D
W362124	36"W x 21"H x 24"D
W422124	42"W x 21"H x 24"D

Features

Two doors
No shelf



Wall Blind Corner 27"

Item Code	Dimension
WBC2715	27"W x 15"H x 12"D
WBC2733*	27"W x 33"H x 12"D
WBC2739**	27"W x 39"H x 12"D

Features

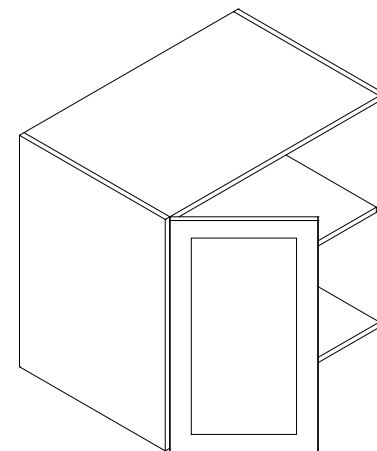
One door 14-7/8" wide, 14-1/4" opening
Hinges on the central stile
Cabinet can be flipped for left/right application
Filler needs to be ordered separately
*Two shelves
**Three shelves

Wall Refrigerator Double Door 33" High

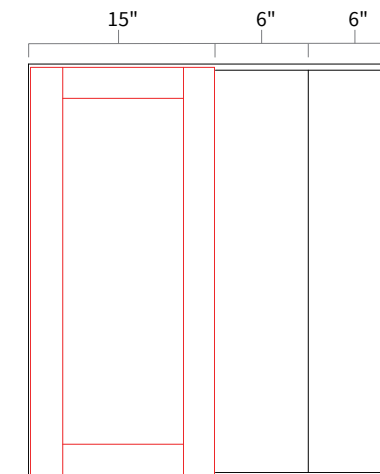
Item Code	Dimension
W333324	33"W x 33"H x 24"D
W363324	36"W x 33"H x 24"D

Features

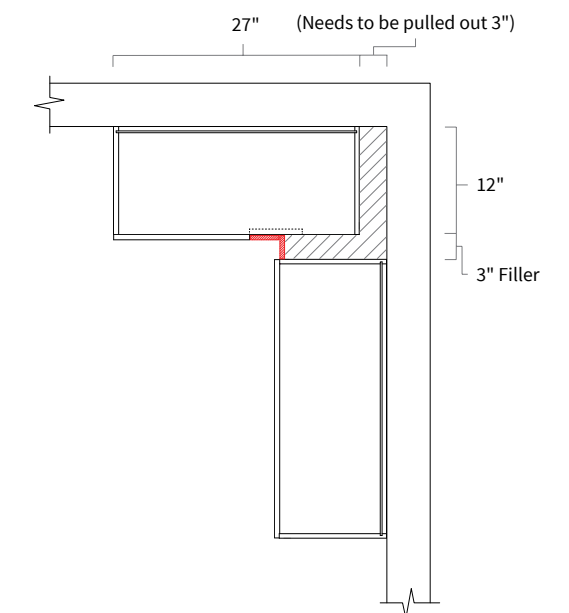
Two doors
One shelf



Opening Dimensions



Installation Diagram

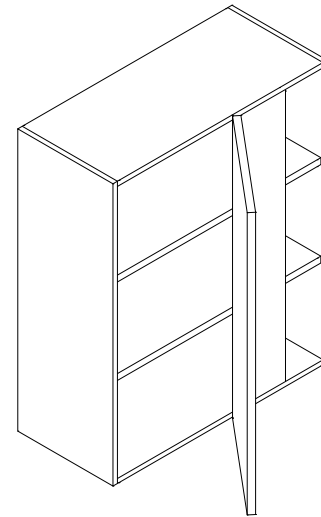
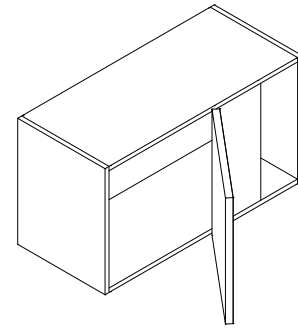


Wall Blind Corner 30"

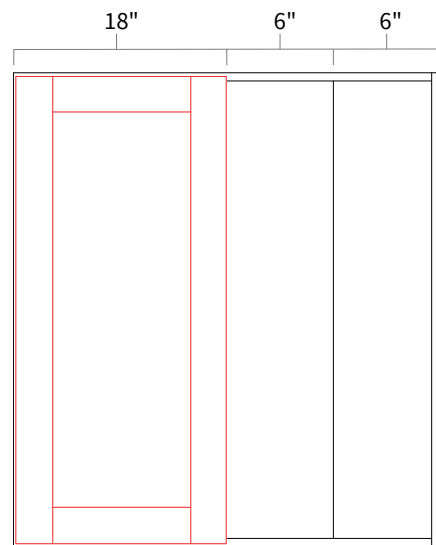
Item Code	Dimension
WBC3015	30"W x 15"H x 12"D
WBC3033*	30"W x 33"H x 12"D
WBC3039**	30"W x 39"H x 12"D

Features

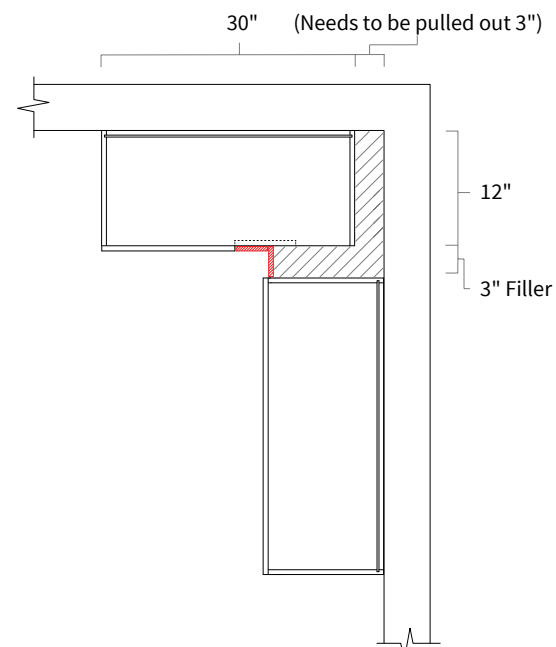
- One door 17-7/8" wide, 17-1/4" opening
- Hinges on the central stile
- Cabinet can be flipped for left/right application
- Filler needs to be ordered separately
- *Two shelves
- **Three shelves



Opening Dimensions



Installation Diagram

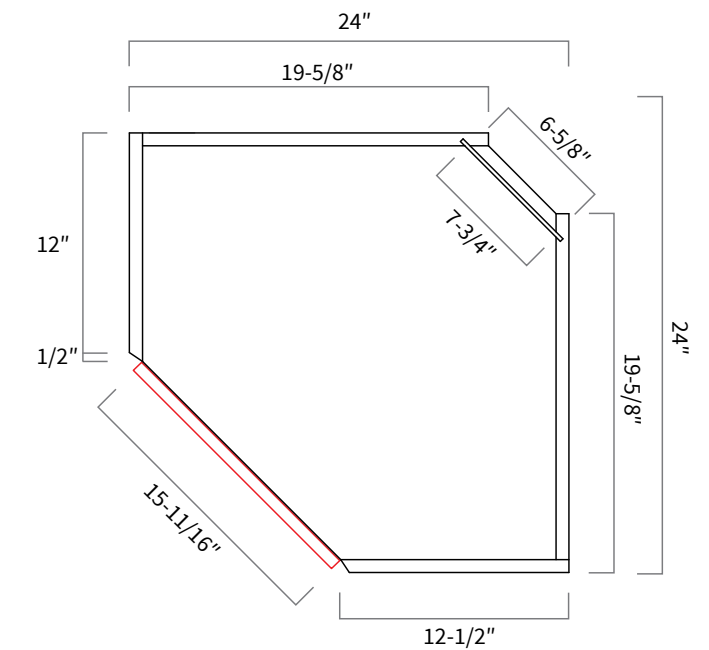
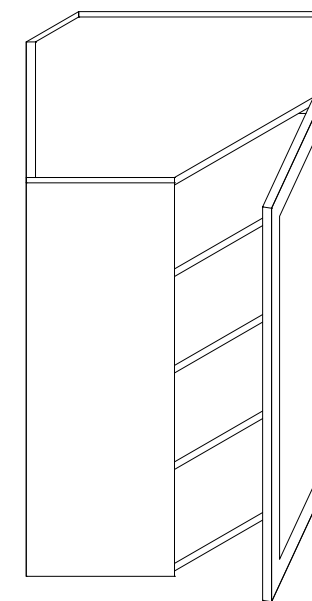
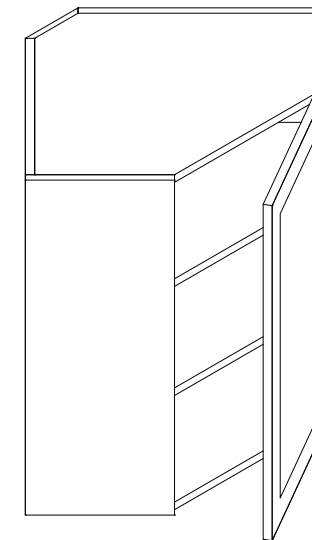
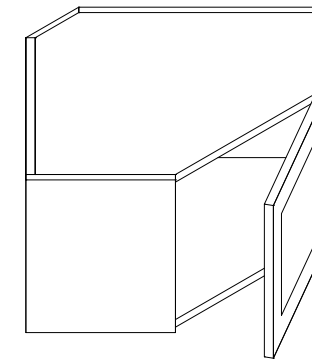


Wall Diagonal Corner 24"

Item Code	Dimension
WDC2415	24"W x 15"H x 12"D
WDC2433*	24"W x 33"H x 12"D
WDC2439**	24"W x 39"H x 12"D

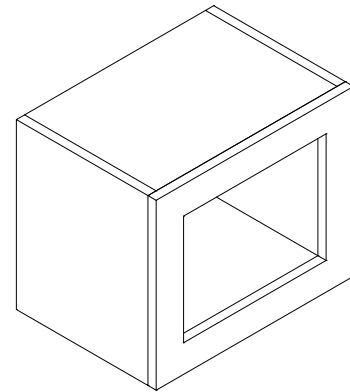
Features

- One door 15-11/16" wide, 15-1/2" opening
- *Two shelves
- **Three shelves



Wall Single Glass Door 15" High

Item Code	Dimension
W1515GD	15"W x 15"H x 12"D
W1815GD	18"W x 15"H x 12"D
W2115GD	21"W x 15"H x 12"D

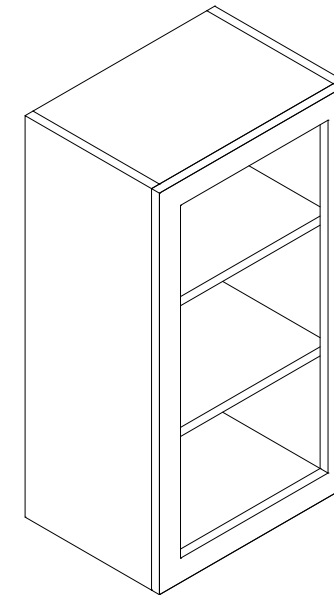


Features

- One door
- No shelf
- Not available for 3000 & 4000 Series

Wall Single Glass Door 33" High

Item Code	Dimension
W1533GD	15"W x 33"H x 12"D
W1833GD	18"W x 33"H x 12"D
W2133GD	21"W x 33"H x 12"D

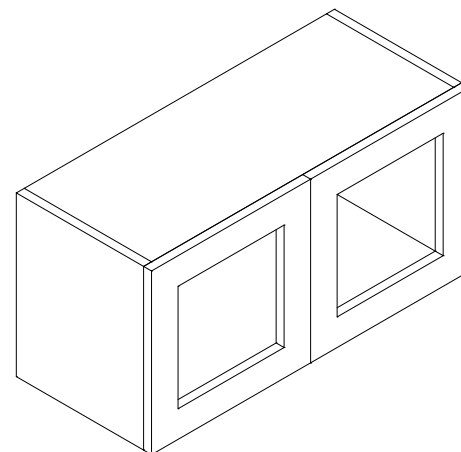


Features

- One door
- Two shelves
- Not available for 3000 & 4000 Series

Wall Double Glass Door 15" High

Item Code	Dimension
W2415GD	24"W x 15"H x 12"D
W2715GD	27"W x 15"H x 12"D
W3015GD	30"W x 15"H x 12"D
W3315GD	33"W x 15"H x 12"D
W3615GD	36"W x 15"H x 12"D
W4215GD	42"W x 15"H x 12"D

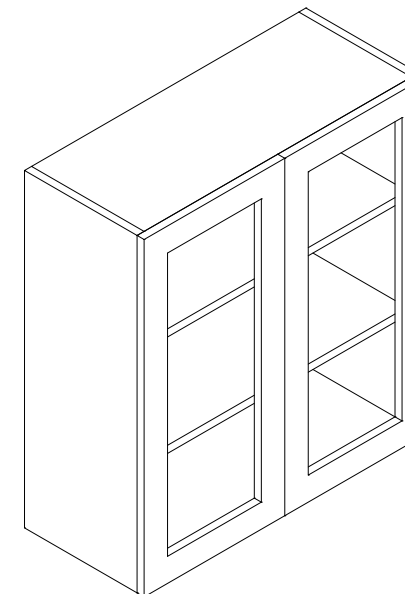


Features

- Two doors
- No shelf
- Not available for 3000 & 4000 Series

Wall Double Glass Door 33" High

Item Code	Dimension
W2433GD	24"W x 33"H x 12"D
W2733GD	27"W x 33"H x 12"D
W3033GD	30"W x 33"H x 12"D
W3333GD	33"W x 33"H x 12"D
W3633GD	36"W x 33"H x 12"D
W4233GD	42"W x 33"H x 12"D



Features

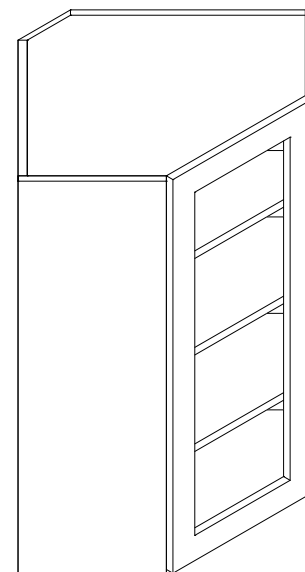
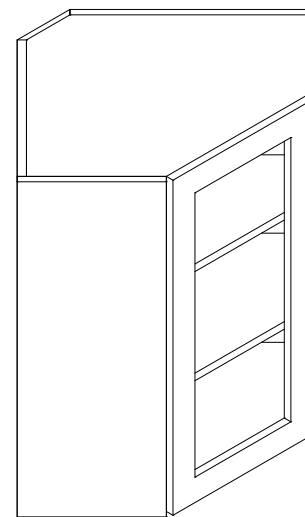
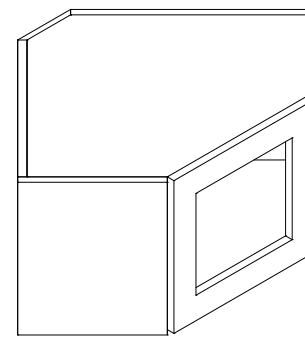
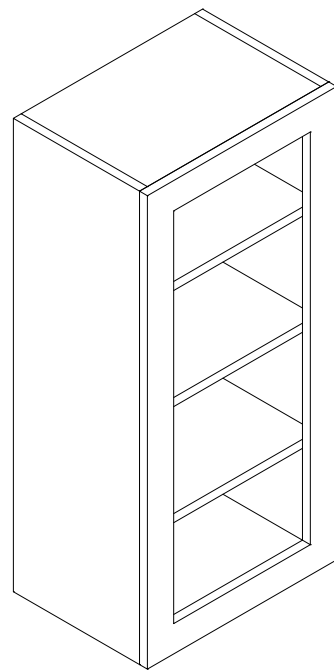
- Two doors
- Two shelves
- Not available for 3000 & 4000 Series

Wall Single Glass Door 39" High

Item Code	Dimension
W1539GD	15"W x 39"H x 12"D
W1839GD	18"W x 39"H x 12"D
W2139GD	21"W x 39"H x 12"D

Features

One door
 Three shelves
 Not available for 3000 & 4000 Series

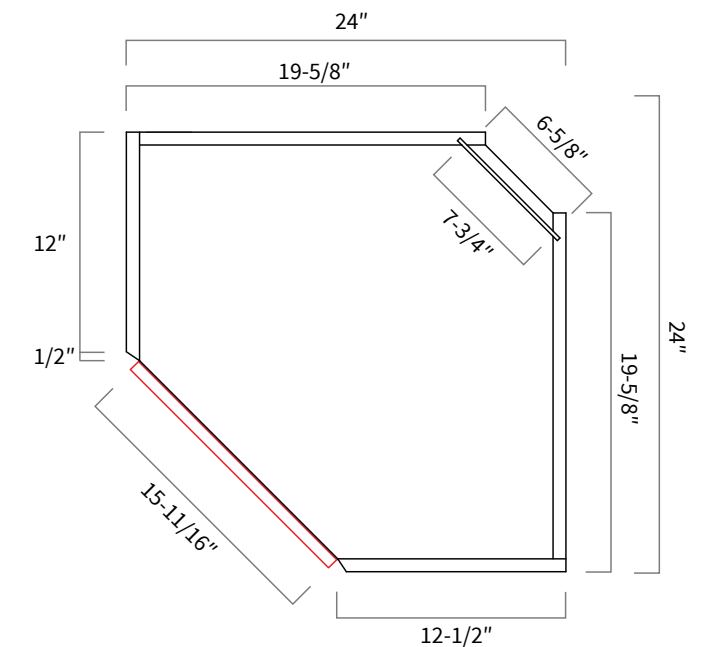


Wall Diagonal Corner Glass Door

Item Code	Dimension
WDC2415GD	24"W x 15"H x 12"D
WDC2433GD*	24"W x 33"H x 12"D
WDC2439GD**	24"W x 39"H x 12"D

Features

One door 15-11/16" wide, 15-1/2" opening
 *Two shelves
 **Three shelves
 Not available for 3000 & 4000 Series

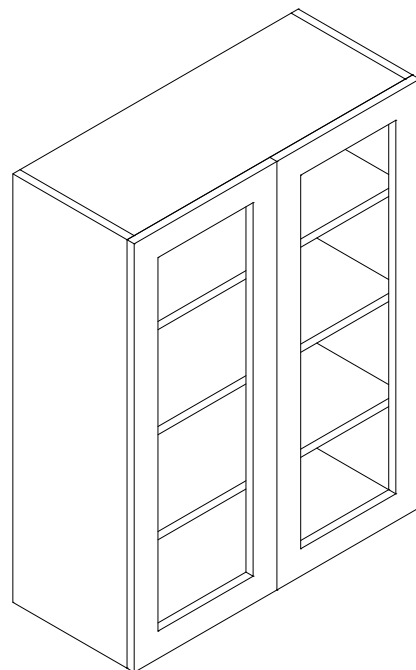


Wall Double Glass Door 39" High

Item Code	Dimension
W2439GD	24"W x 39"H x 12"D
W2739GD	27"W x 39"H x 12"D
W3039GD	30"W x 39"H x 12"D
W3339GD	33"W x 39"H x 12"D
W3639GD	36"W x 39"H x 12"D
W4239GD	42"W x 39"H x 12"D

Features

Two doors
 Three shelves
 Not available for 3000 & 4000 Series

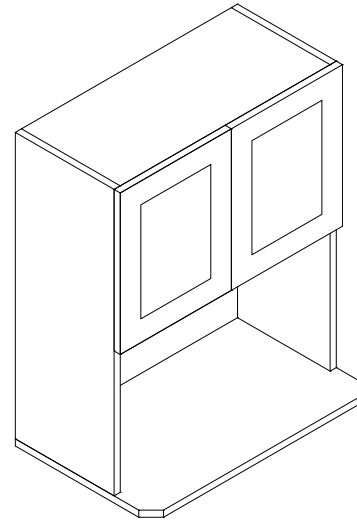


Wall Microwave 27" Wide

Item Code	Dimension
WMC2733	27"W x 33"H x 12"D
WMC2739	27"W x 39"H x 12"D

Features

Two doors
 Finished interior and shelf
 Shelf dimension: 25-9/16" x 18" x 3/4"
 Opening: 25-9/16"W x 15-9/16"H

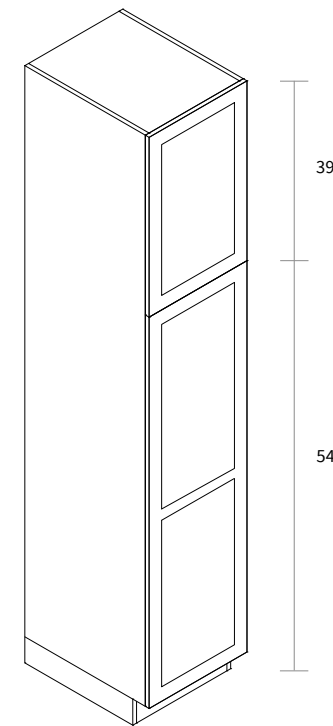


Wall Pantry Single Door 15" Wide

Item Code	Dimension
WP1593	15"W x 93"H x 24"D

Features

Two doors
 Five shelves
 Toe kick box is separated

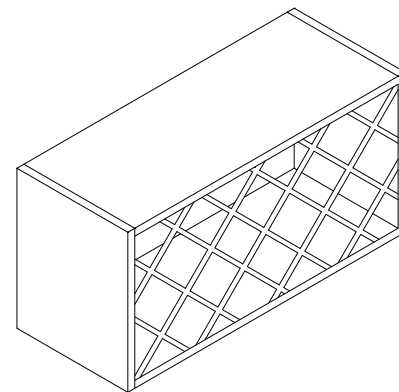


Wall Wine Rack 15" High

Item Code	Dimension
WWR3015	30"W x 15"H x 12"D

Features

Finished interior and exterior
 Can be used in both wall and base application

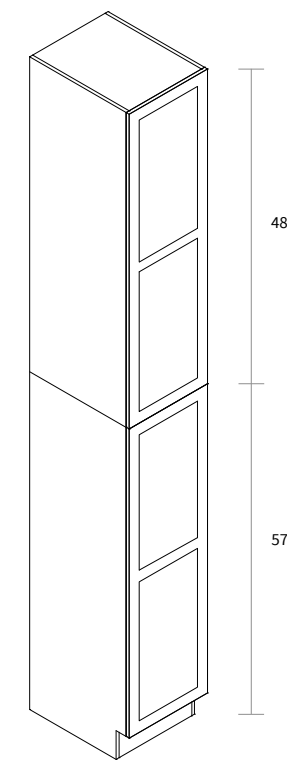


Wall Pantry Single Door 15" Wide

Item Code	Dimension
WP15105	15"W x 105"H x 24"D

Features

Two doors
 Six shelves
 Box is separated into TOP/BOTTOM two portions

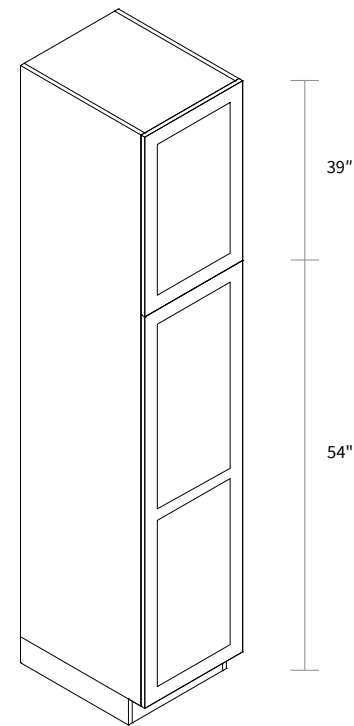


Wall Pantry Single Door 18" Wide

Item Code	Dimension
WP1893	18"W x 93"H x 24"D

Features

- Four doors
- Five shelves
- Toe kick box is separated

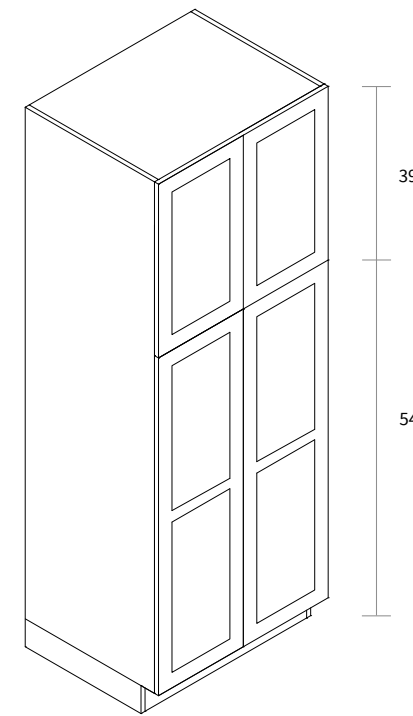


Wall Pantry Double Door 24" Wide

Item Code	Dimension
WP2493	24"W x 93"H x 24"D

Features

- Four doors
- Five shelves
- Toe kick box is separated

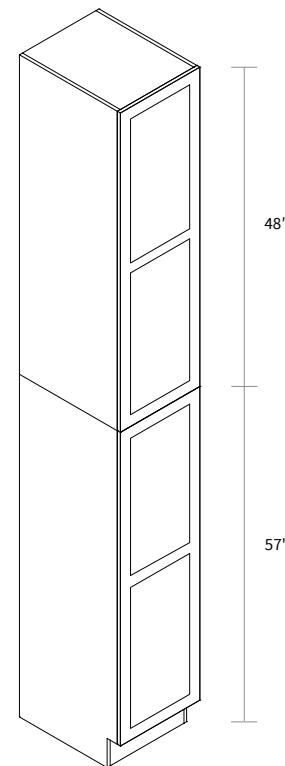


Wall Pantry Single Door 18" Wide

Item Code	Dimension
WP18105	18"W x 105"H x 24"D

Features

- Two doors
- Six shelves
- Box is separated into TOP/BOTTOM two portions

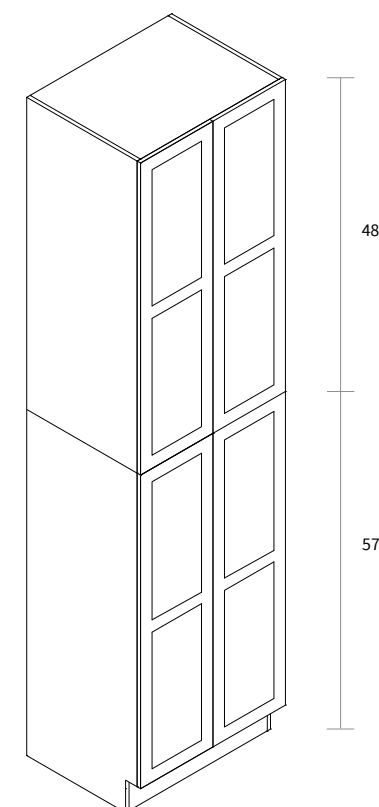


Wall Pantry Double Door 24" Wide

Item Code	Dimension
WP24105	24"W x 105"H x 24"D

Features

- Four doors
- Six shelves
- Box is separated into TOP/BOTTOM two portions

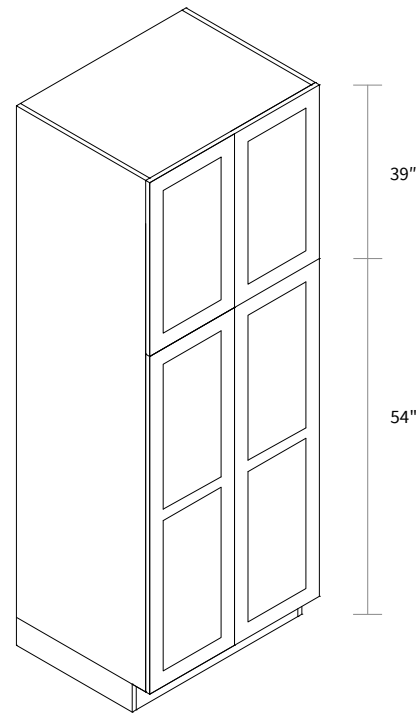


Wall Pantry Double Door 30" Wide

Item Code	Dimension
WP3093	30"W x 93"H x 24"D

Features

- Four doors
- Five shelves
- Toe kick box is separated

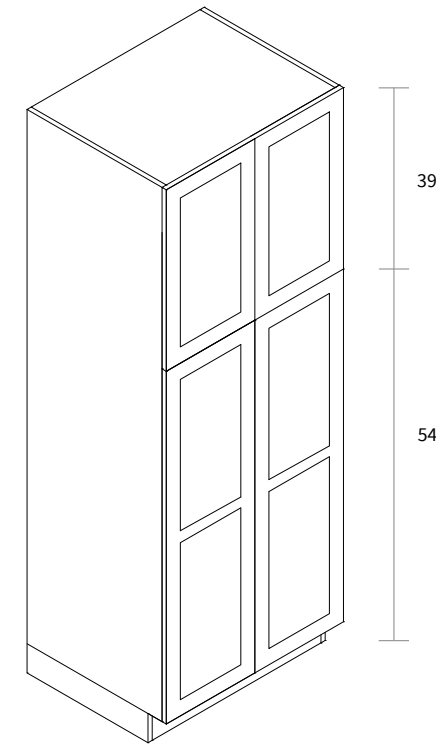


Wall Pantry Double Door 36" Wide

Item Code	Dimension
WP3693	36"W x 93"H x 24"D

Features

- Four doors
- Five shelves
- Toe kick box is separated

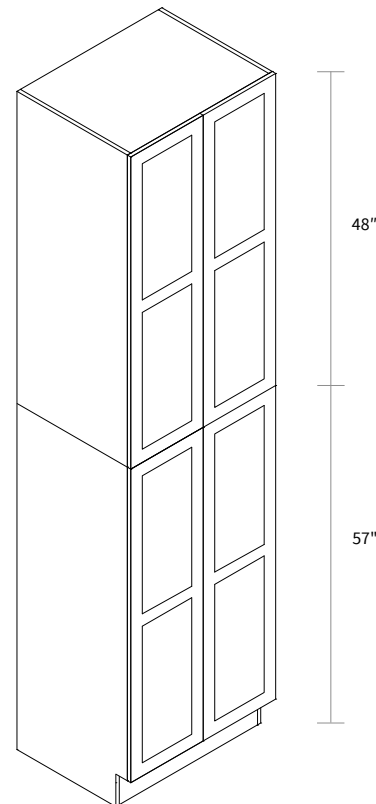


Wall Pantry Double Door 30" Wide

Item Code	Dimension
WP30105	30"W x 105"H x 24"D

Features

- Four doors
- Six shelves
- Box is separated into TOP/BOTTOM two portions

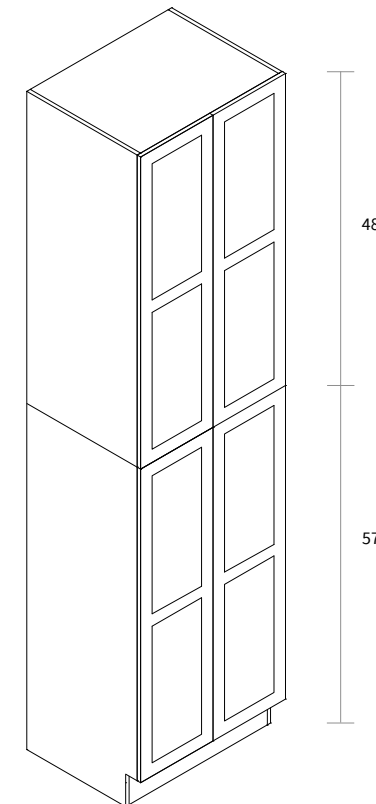


Wall Pantry Double Door 36" Wide

Item Code	Dimension
WP36105	36"W x 105"H x 24"D

Features

- Four doors
- Six shelves
- Box is separated into TOP/BOTTOM two portions

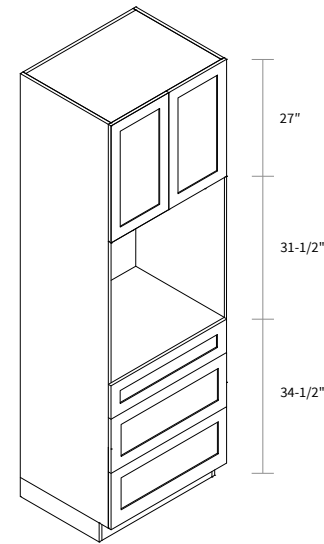


Single Oven Pantry 93"

Item Code	Dimension
SOP3093	30"W x 93"H x 24"D

Features

- Opening 28-9/16"W x 31-1/2"H
- One shelf
- One small drawer and two big drawers
- Filler needs to be ordered separately
- Toe kick box is separated

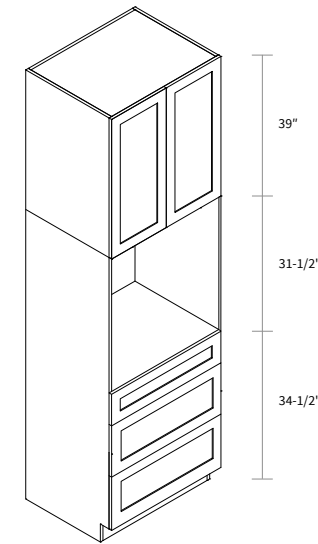


Single Oven Pantry 105"

Item Code	Dimension
SOP30105	30"W x 105"H x 24"D

Features

- Opening 28-9/16" x 31-1/2"
- One shelf
- One small drawer
- Two big drawers
- Filler needs to be ordered separately
- Box is separated into TOP/BOTTOM two portions

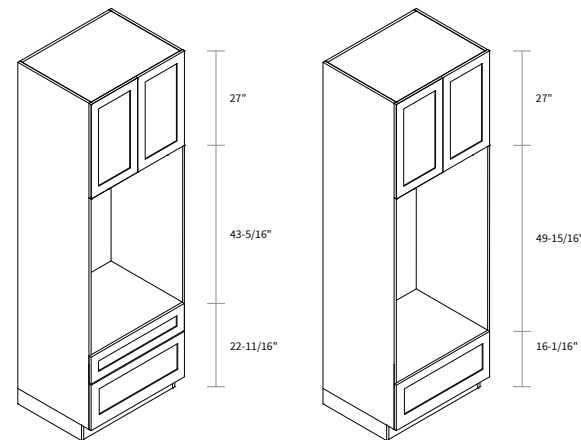


Combo Oven Pantry 93"

Item Code	Dimension
COP3093	30"W x 93"H x 24"D

Features

- Opening 28-9/16"W x 43-5/16" or 49-15/16"H
- One shelf
- One big drawer and one small drawer
- Filler needs to be ordered separately
- Toe kick box is separated

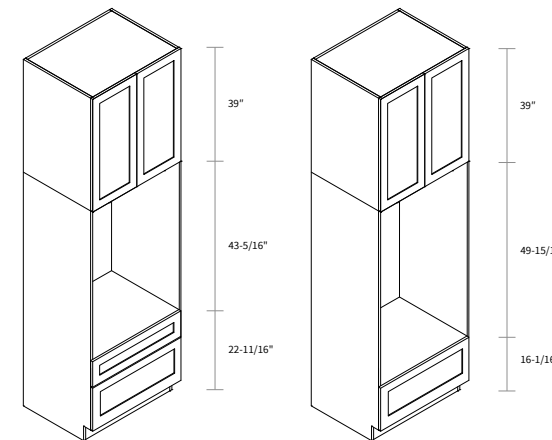


Combo Oven Pantry 105"

Item Code	Dimension
COP30105	30"W x 105"H x 24"D

Features

- Opening 28-9/16" x 42-3/4"
- One shelf
- One big drawer and one small drawer
- Filler needs to be ordered separately
- Box is separated into TOP/BOTTOM two portions

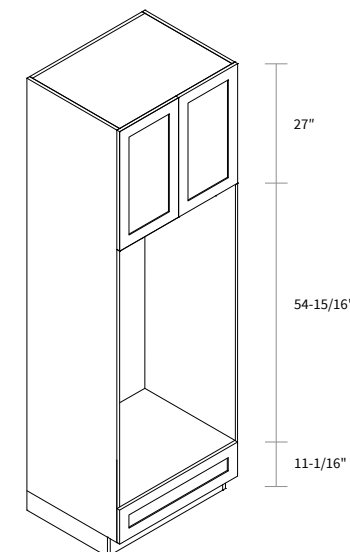


Double Oven Pantry 93"

Item Code	Dimension
DOP3093	30"W x 93"H x 24"D

Features

- Opening 28-9/16" x 54-15/16"
- One shelf
- One small drawer
- Filler needs to be ordered separately
- Toe kick box is separated

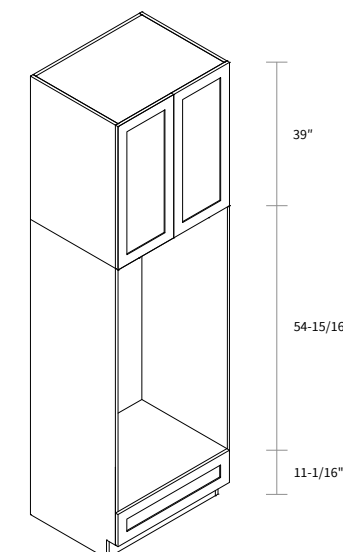


Double Oven Pantry 105"

Item Code	Dimension
DOP30105	30"W x 105"H x 24"D

Features

- Opening 28-9/16" x 54-15/16"
- One shelf
- One small drawer
- Filler needs to be ordered separately
- Box is separated into TOP/BOTTOM two portions

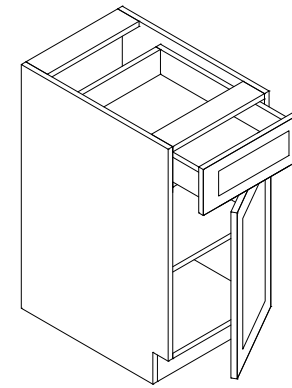
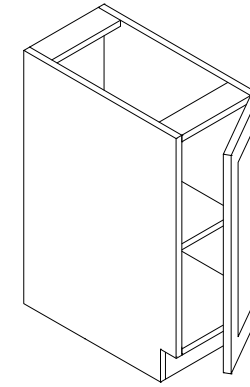
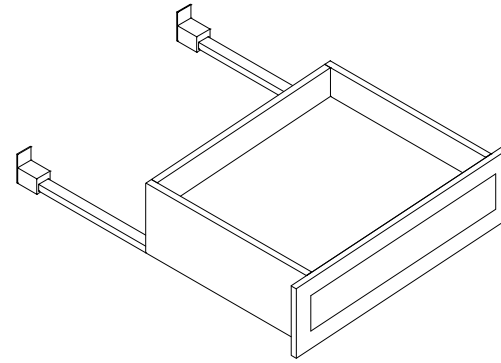


Oven Pantry Roll Out Tray

Item Code	Dimension
OROT30	30"W x 11-1/2"H x 21"D

Features

5/8" thick solid hardwood
 Dovetail construction box
 Clear coat finish



Base Single Door

Item Code	Dimension
B09*	9"W x 34-1/2"H x 24"D
B12	12"W x 34-1/2"H x 24"D
B15	15"W x 34-1/2"H x 24"D
B18	18"W x 34-1/2"H x 24"D
B21	21"W x 34-1/2"H x 24"D

Features

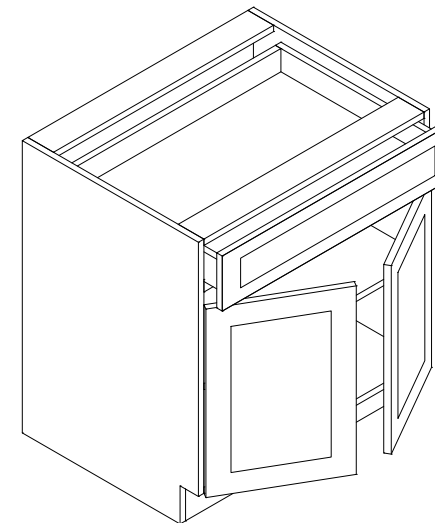
One door
 One drawer
 One shelf
 *One full height door, no drawer

Base Double Door

Item Code	Dimension
B24	24"W x 34-1/2"H x 24"D
B27	27"W x 34-1/2"H x 24"D
B30	30"W x 34-1/2"H x 24"D
B33	33"W x 34-1/2"H x 24"D
B36	36"W x 34-1/2"H x 24"D
B42	42"W x 34-1/2"H x 24"D

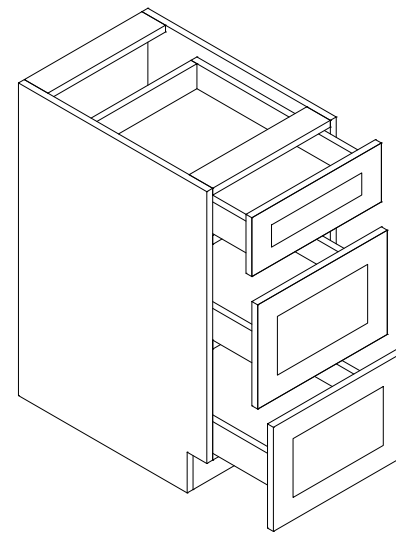
Features

Two doors
 One drawer
 One shelf



Base Three Drawer

Item Code	Dimension
3DB12	12"W x 34-1/2"H x 24"D
3DB15	15"W x 34-1/2"H x 24"D
3DB18	18"W x 34-1/2"H x 24"D
3DB21	21"W x 34-1/2"H x 24"D
3DB24	24"W x 34-1/2"H x 24"D
3DB27	27"W x 34-1/2"H x 24"D
3DB30	30"W x 34-1/2"H x 24"D
3DB33	33"W x 34-1/2"H x 24"D
3DB36	36"W x 34-1/2"H x 24"D

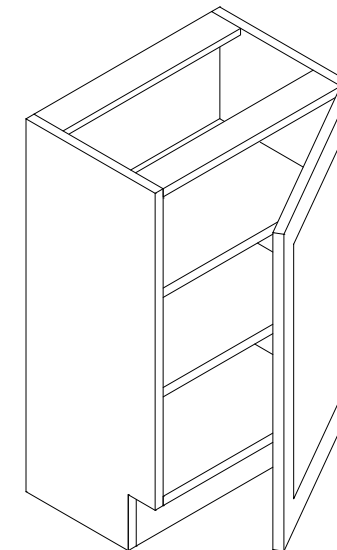


Features

Three drawers
 Small drawer front 6-1/2" high
 Large drawer front 11-1/2" high

Base Single Door 12" Depth

Item Code	Dimension
B1212	12"W x 34-1/2"H x 12"D
B1512	15"W x 34-1/2"H x 12"D
B1812	18"W x 34-1/2"H x 12"D
B2112	21"W x 34-1/2"H x 12"D

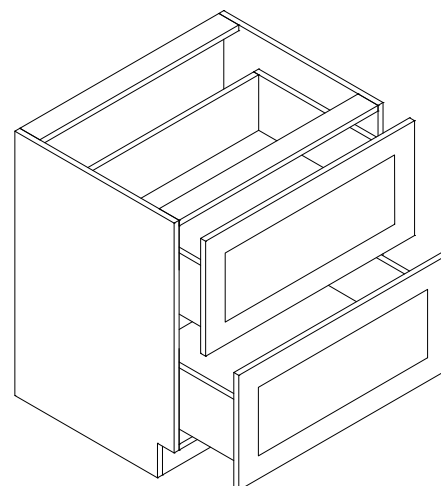


Features

One door
 No drawer
 Two shelves

Base Two Drawer

Item Code	Dimension
2DB27	27"W x 34-1/2"H x 24"D
2DB30	30"W x 34-1/2"H x 24"D
2DB33	33"W x 34-1/2"H x 24"D
2DB36	36"W x 34-1/2"H x 24"D

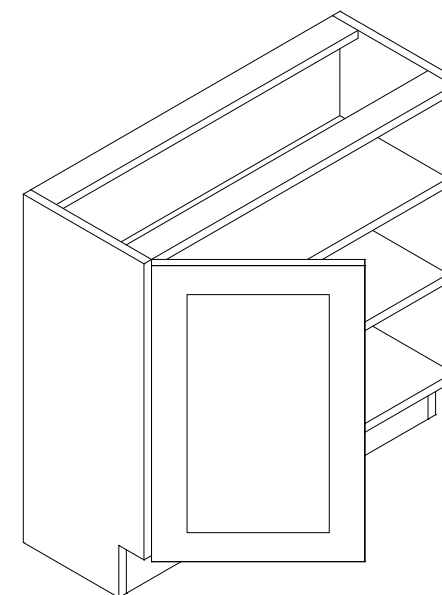


Features

Two drawers
 Drawer front 14-13/16" high

Base Double Door 12" Depth

Item Code	Dimension
B2412	24"W x 34-1/2"H x 12"D
B2712	27"W x 34-1/2"H x 12"D
B3012	30"W x 34-1/2"H x 12"D
B3312	33"W x 34-1/2"H x 12"D
B3612	36"W x 34-1/2"H x 12"D



Features

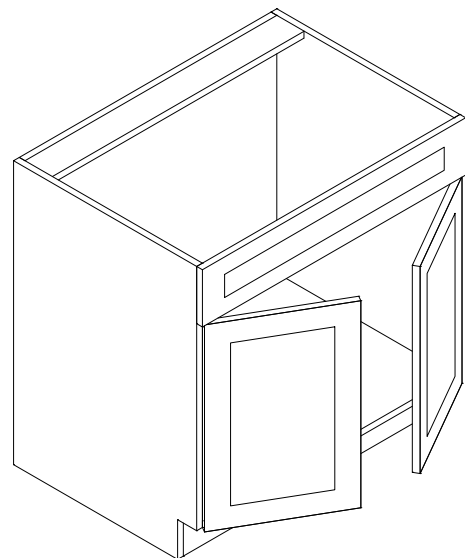
Two doors
 No drawer
 Two shelves

Sink Base

Item Code	Dimension
SB24	24"W x 34-1/2"H x 24"D
SB30	30"W x 34-1/2"H x 24"D
SB33	33"W x 34-1/2"H x 24"D
SB36	36"W x 34-1/2"H x 24"D
SB42	42"W x 34-1/2"H x 24"D

Features

Two doors
One false drawer front

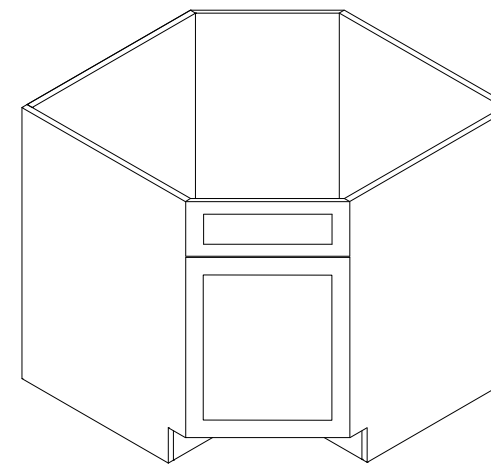


Sink Base Diagonal Corner 24"

Item Code	Dimension
SBD36	36"W x 34-1/2"H x 24"D
SBD42	42"W x 34-1/2"H x 24"D

Features

SBD36: Door 15-5/8" wide, 15-1/4" opening
SBD42: Door 24-1/8" wide, 23-3/4" opening
One false drawer front

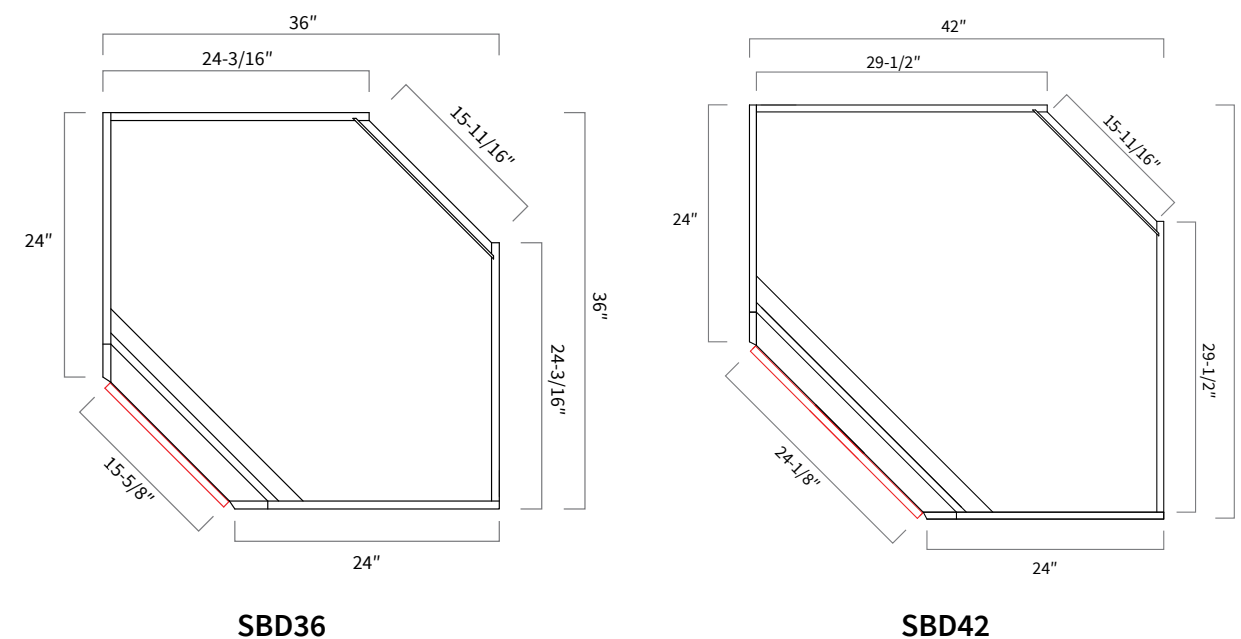
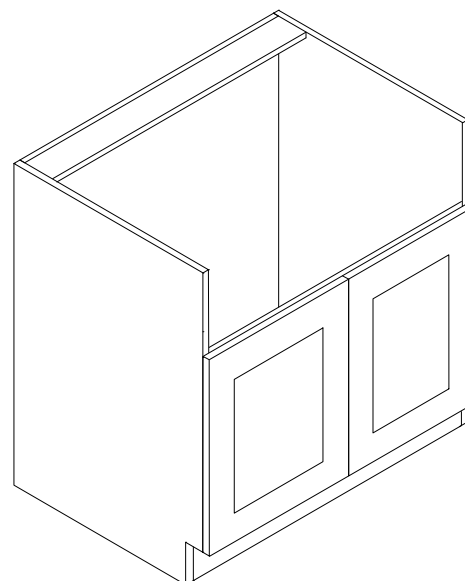


Farm Sink Base

Item Code	Dimension
FSB33	33"W x 34-1/2"H x 24"D
FSB36	36"W x 34-1/2"H x 24"D
FSB39	39"W x 34-1/2"H x 24"D

Features

Two doors

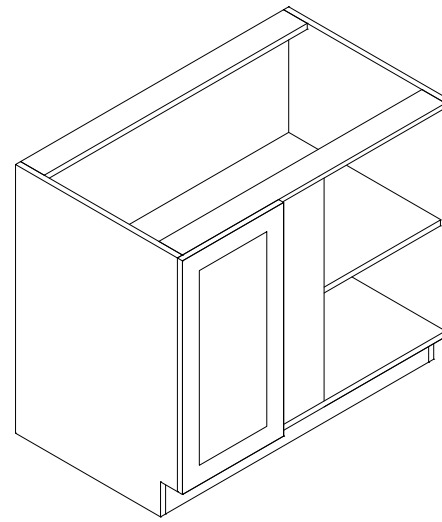


Base Blind Corner 39"

Item Code	Dimension
BBC39	39"W x 34-1/2"H x 24"D

Features

- One full height door 14-7/8" wide, 14-1/4" opening
- Hinges on the central stile
- Filler needs to be ordered separately
- One shelf

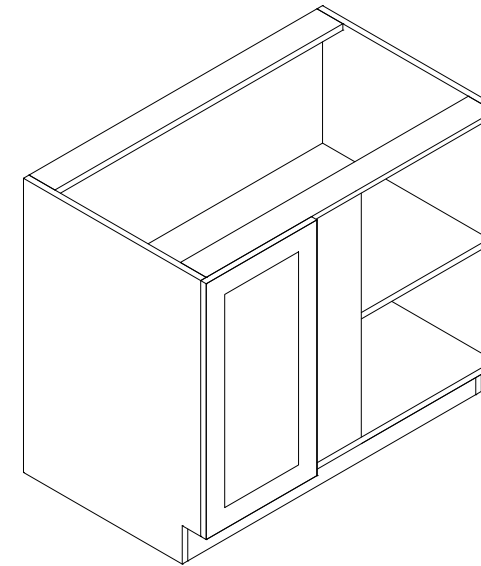


Base Blind Corner 42"

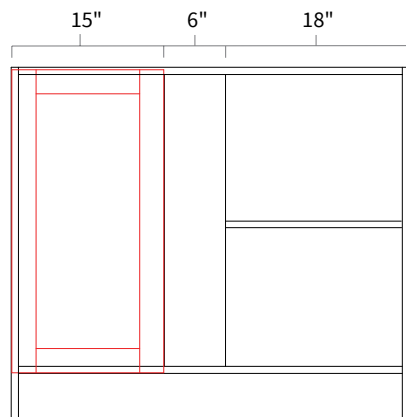
Item Code	Dimension
BBC42	42"W x 34-1/2"H x 24"D

Features

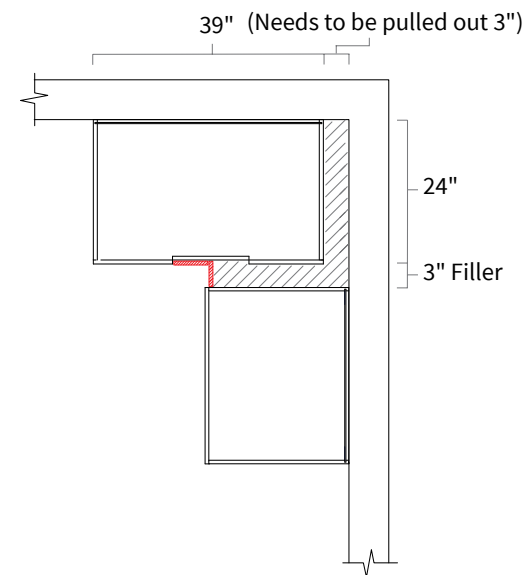
- One full height door 17-7/8" wide, 17-1/4" opening
- Hinges on the central stile
- Filler needs to be ordered separately
- One shelf



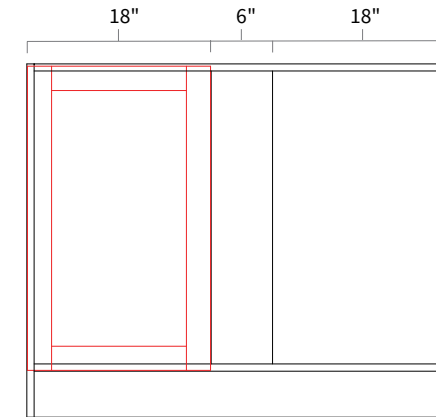
Opening Dimensions



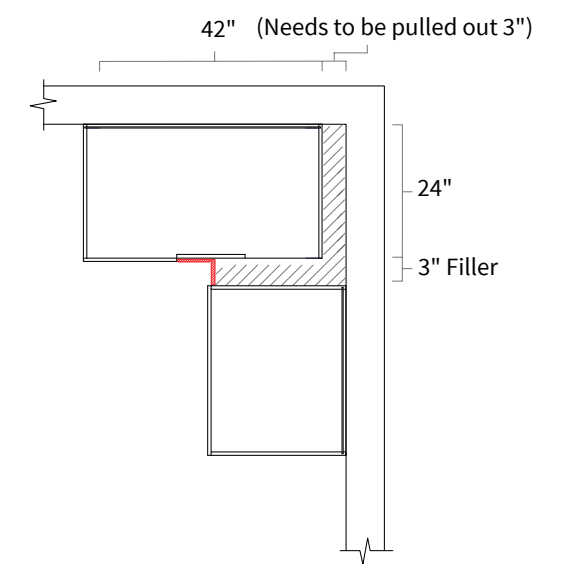
Installation Diagram



Opening Dimensions



Installation Diagram

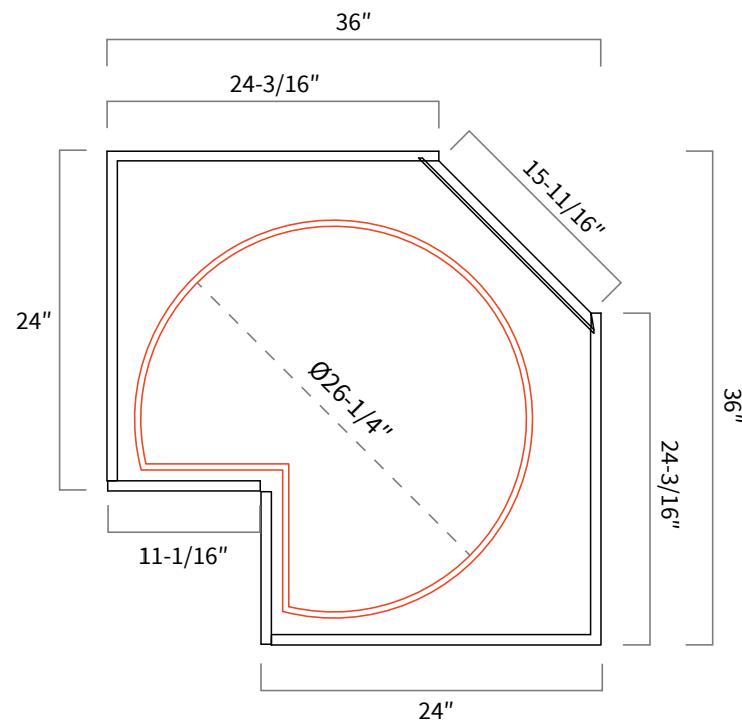
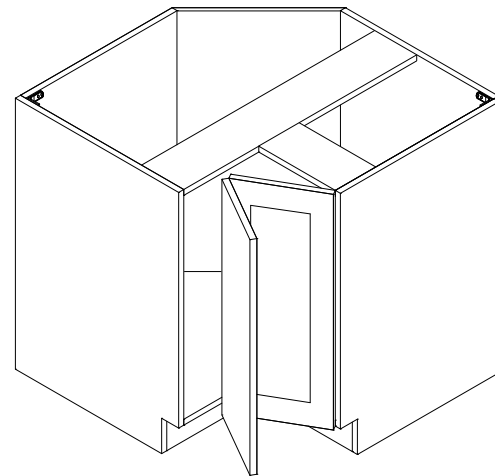


Base Lazy Susan

Item Code	Dimension
BLS33	33"W x 34-1/2"H x 24"D
BLS36	36"W x 34-1/2"H x 24"D

Features

Full height bi-folding door
 Two wooden susan included
 Wooden susan 26-1/4" diameter
 Soft close not available

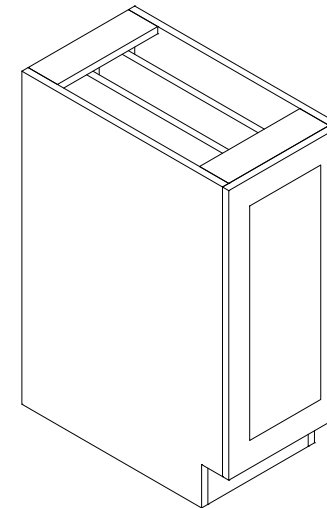


Spice Rack

Item Code	Dimension
BSR09	9"W x 34-1/2"H x 24"D
BSR12	12"W x 34-1/2"H x 24"D

Features

Three levels of spice racks

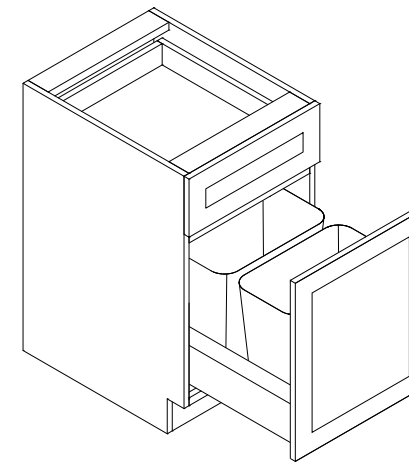


Trash Bin Cabinet

Item Code	Dimension
TB15	15"W x 34-1/2"H x 24"D
TB18	18"W x 34-1/2"H x 24"D

Features

One drawer
 Double trash bins

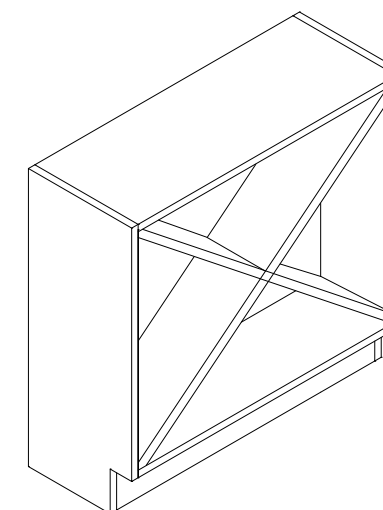


Base Wine Storage

Item Code	Dimension
BWS30	30"W x 34-1/2"H x 12"D

Features

Finished interior and shelf
 Not available for 4000 Series

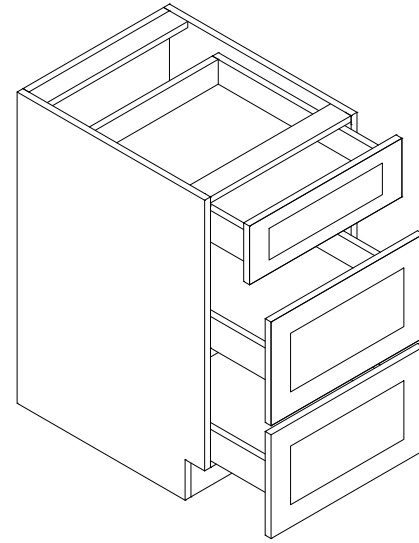


Drawer Vanity

Item Code	Dimension
VDB12	12"W x 34-1/2"H x 21"D
VDB15	15"W x 34-1/2"H x 21"D
VDB18	18"W x 34-1/2"H x 21"D
VDB21	21"W x 34-1/2"H x 21"D

Features

Three drawers
 Small drawer front 6-1/2" high
 Large drawer front 11-1/2" high

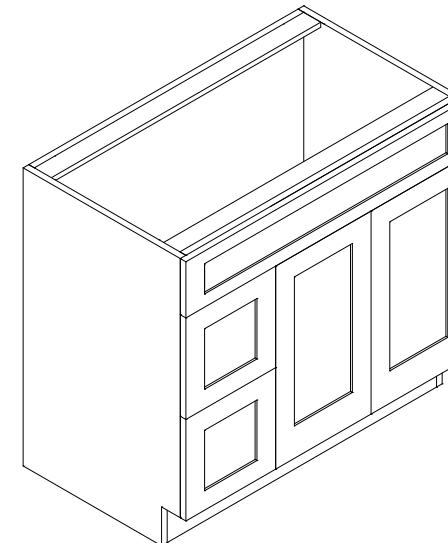


Base Vanity

Item Code	Dimension
VB36DL	36"W x 34-1/2"H x 21"D

Features

Two doors
 One false drawer front
 Two drawers 12" wide

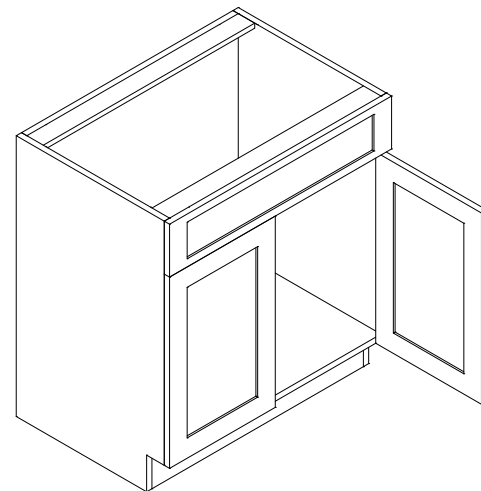


Base Vanity

Item Code	Dimension
VS24	24"W x 34-1/2"H x 21"D
VS30	30"W x 34-1/2"H x 21"D
VS33	33"W x 34-1/2"H x 21"D
VS36	36"W x 34-1/2"H x 21"D

Features

Two doors
 One false drawer front

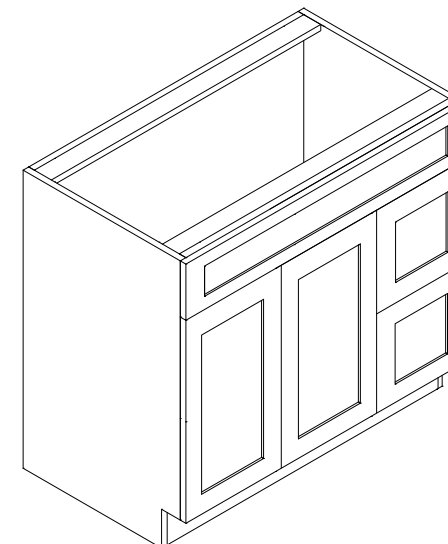


Base Vanity

Item Code	Dimension
VB36DR	36"W x 34-1/2"H x 21"D

Features

Two doors
 One false drawer front
 Two drawers 12" wide

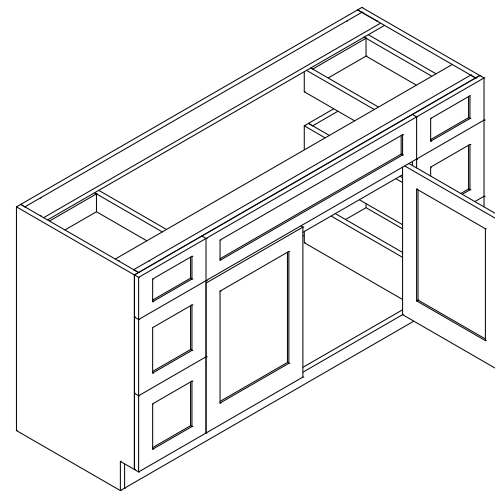


Base Vanity

Item Code	Dimension
VB48DS	48"W x 34-1/2"H x 21"D
VB60DS	60"W x 34-1/2"H x 21"D

Features

- One false drawer front
- Two doors
- Six drawers 12" wide

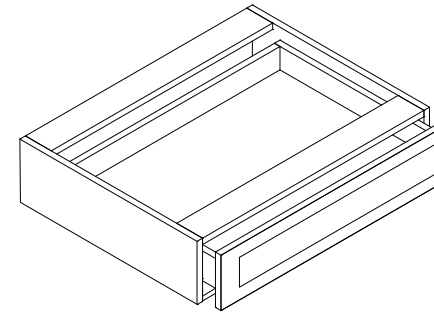


Knee Drawer

Item Code	Dimension
KD27	27"W x 6-1/2"H x 21"D
KD30	30"W x 6-1/2"H x 21"D
KD36	36"W x 6-1/2"H x 21"D

Features

- One drawer
- Drawer front 6-1/2" high

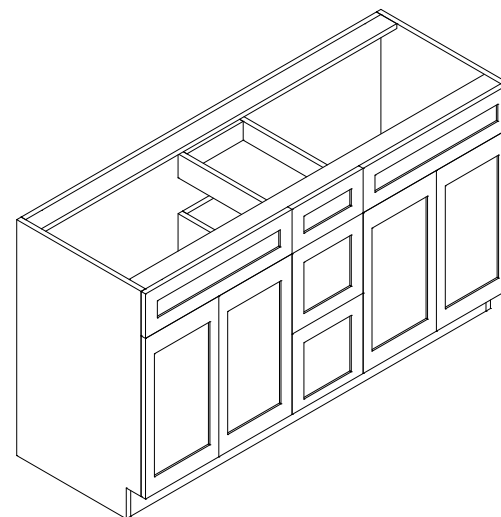


Base Vanity

Item Code	Dimension
VB60DC	60"W x 34-1/2"H x 21"D

Features

- Two false drawer fronts
- Four doors
- Three drawers 12" wide

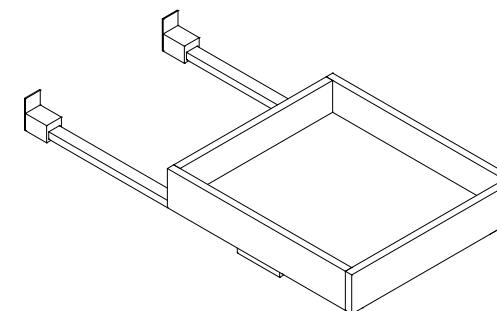


Roll Out Tray

Item Code	Dimension
ROT15	11-1/4"W x 4"H x 20"D
ROT18	14-1/4"W x 4"H x 20"D
ROT21	17-1/4"W x 4"H x 20"D
ROT24	20-1/4"W x 4"H x 20"D
ROT27	23-1/4"W x 4"H x 20"D
ROT30	26-1/4"W x 4"H x 20"D
ROT33	29-1/4"W x 4"H x 20"D
ROT36	32-1/4"W x 4"H x 20"D

Features

- 5/8" thick solid hardwood
- Dovetail construction box
- Clear coat finish



Wall Filler 3"

Item Code	Dimension
WF0336	3"W x 36"H x 3/4"D
WF0348	3"W x 48"H x 3/4"D
WF03108	3"W x 108"H x 3/4"D

Features

Solid wood
Finished on five sides



Wall Filler 6"

Item Code	Dimension
WF0636	6"W x 36"H x 3/4"D
WF0648	6"W x 48"H x 3/4"D
WF06108	6"W x 108"H x 3/4"D

Features

Solid wood
Finished on five sides



Base Filler

Item Code	Dimension
BF3	3"W x 34-1/2"H x 3/4"D
BF6	6"W x 34-1/2"H x 3/4"D

Features

Solid wood
Finished on five sides

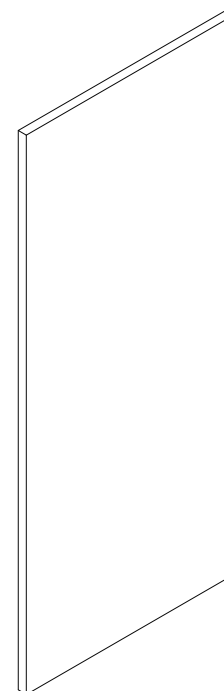


Wall Replacement Panel

Item Code	Dimension
RPW15	12"W x 15"H x 3/4"D
RPW33	12"W x 33"H x 3/4"D
RPW39	12"W x 39"H x 3/4"D

Features

Finished on all sides
3/4" thickness plywood panel
Use to replace wall cabinet box side panel

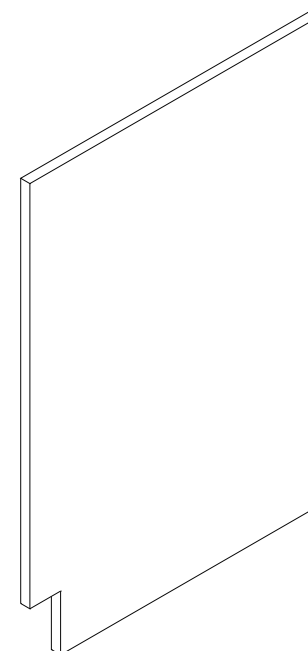


Base Replacement Panel

Item Code	Dimension
RPB34L	24"W x 34-1/2"H x 3/4"D
RPB34R	24"W x 34-1/2"H x 3/4"D

Features

Finished on all sides
3/4" thickness plywood panel
Use to replace base cabinet box side panel

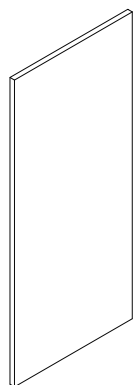


Wall Finish Panel

Item Code	Dimension
PNW48	12-7/8"W x 48"H x 3/4"D

Features

Finished on all sides
3/4" thickness plywood

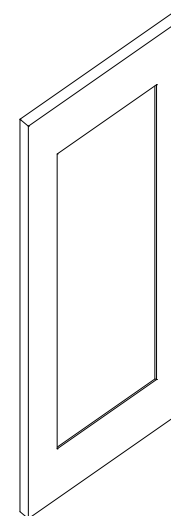


Wall Dummy Door

Item Code	Dimension
WDD39	12-7/8"W x 39"H x 3/4"D
WDD48	12-7/8"W x 48"H x 3/4"D

Features

3/4" thickness
Matched color and door style

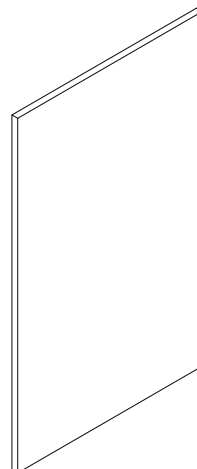


Base Finish Panel

Item Code	Dimension
PNB36	27"W x 36"H x 3/4"D
PNB96	27"W x 96"H x 3/4"D
PNB108	27"W x 108"H x 3/4"D

Features

Finished on all sides
3/4" thickness plywood

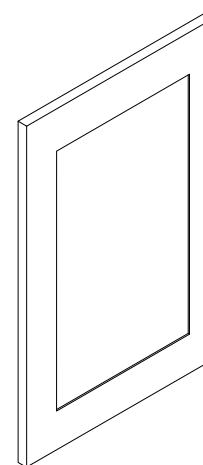


Base Dummy Door

Item Code	Dimension
BDD2434	24-7/8"W x 34-1/2"H x 3/4"D

Features

3/4" thickness
Matched color and door style

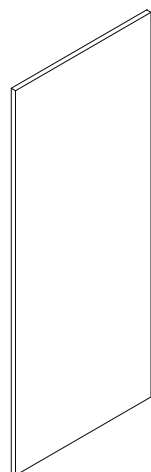


Island Finish Panel

Item Code	Dimension
PNI96	48"W x 96"H x 3/4"D
PNI24	25-5/8"W x 34-1/2"H x 3/4"D
PNI36	37-3/4"W x 34-1/2"H x 3/4"D
PNI48	49-3/4"W x 34-1/2"H x 3/4"D

Features

Finished on all sides
3/4" thickness plywood

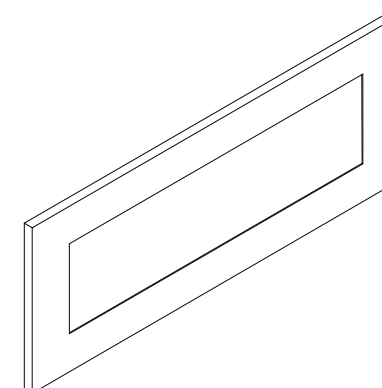


Dummy Drawer Front

Item Code	Dimension
DDF3609	36"W x 9"H x 3/4"D
DDF4209	42"W x 9"H x 3/4"D
DDF4809	48"W x 9"H x 3/4"D

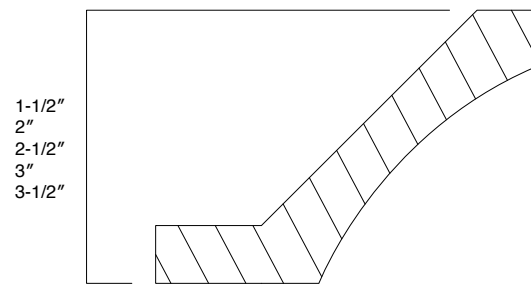
Features

3/4" thickness
Matched color and door style



Crown Molding

Item Code	Dimension
CM1-1/2	96"W x 1-1/2"H x 2-1/2"D
CM2	96"W x 2"H x 3"D
CM2-1/2	96"W x 2-1/2"H x 3-1/2"D
CM3	96"W x 3"H x 4"D
CM3-1/2	96"W x 3-1/2"H x 4-1/2"D



Features

Solid wood
 Traditional style
 Not available for 4000 Series

Scribe Molding

Item Code	Dimension
SM8	96"W x 3/4"H x 1/4"D

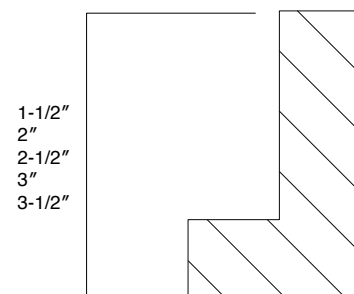


Features

Solid wood

Straight Crown Molding

Item Code	Dimension
LCM1-1/2	96"W x 1-1/2"H x 2"D
LCM2	96"W x 2"H x 2"D
LCM2-1/2	96"W x 2-1/2"H x 2"D
LCM3	96"W x 3"H x 2"D
LCM3-1/2	96"W x 3-1/2"H x 2"D

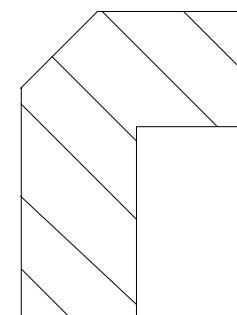


Features

Solid wood
 Contemporary style

Light Rail Molding

Item Code	Dimension
LR2	96"W x 1-1/2"H x 2"D

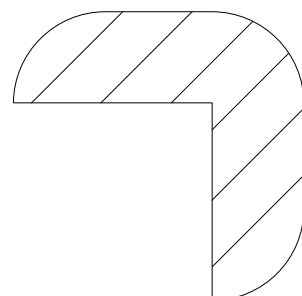


Features

Solid wood

Outside Corner Molding

Item Code	Dimension
OCM8	96"W x 1"H x 1"D

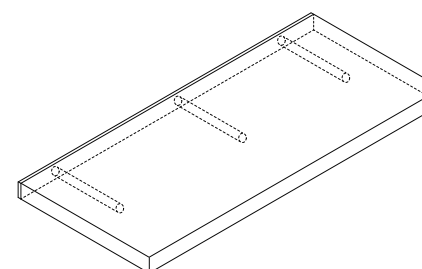


Features

Solid wood

Floating Shelf

Item Code	Dimension
FS24	24"W x 2"H x 12"D
FS30	30"W x 2"H x 12"D
FS36	36"W x 2"H x 12"D
FS42	42"W x 2"H x 12"D
FS48	48"W x 2"H x 12"D

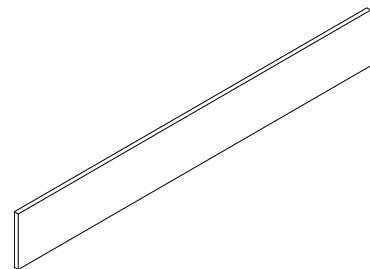


Toe Kick

Item Code	Dimension
TK8	96"W x 4-1/2"H x 1/2"D

Features

Two sides finished
1/2" thickness

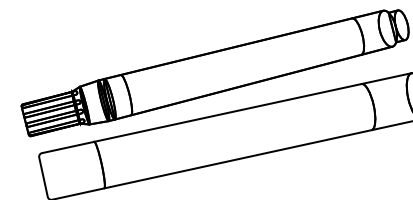


Touch-Up Pen

Item Code
TU

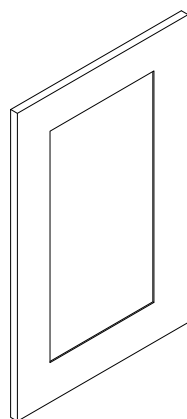
Features

Marker with stain or paint
For small scratch only
Includes one marker and one crayon



Sample Door

Item Code	Dimension
SD	12"W x 15"H x 3/4"D

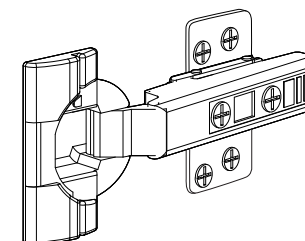


Hinge

Item Code
BLUM

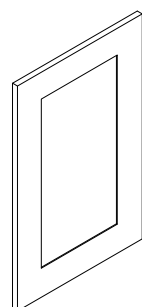
Features

Blum Blumotion hinge
Soft close
3D adjustment



Mini Sample Door

Item Code	Dimension
MSD	6"W x 7-1/2"H x 3/4"D

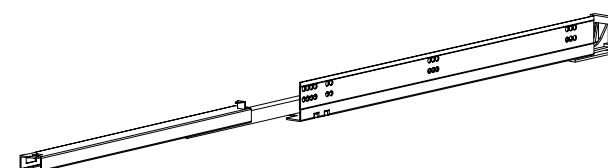


Slides

Item Code
BLUM21
BLUM24

Features

Blum Blumotion slide
Undermount
3D adjustment
Soft close



WARRANTY

BOXY CABINETRY® LIMITED WARRANTY

(Revised Nov 1st, 2022)

Boxy Cabinetry warrants its cabinets to be free of defects in the material or workmanship for five years under normal residential use from the date of the original purchase.

Who does the warranty apply to?

This warranty applies to the initial purchaser of the products who owns them at the original site of installation. FAILURE BY THE CONSUMER TO PROVIDE PROOF OF PURCHASE VOIDS ANY CLAIM MADE UNDER THIS WARRANTY.

What does this limited warranty cover?

This limited warranty covers defects in material and workmanship in your Boxy cabinetry under normal home use and service.

What will Boxy Cabinetry do?

Boxy Cabinetry will replace or repair any part or parts which may prove defective under normal home use and service. As such, some replacement parts are subject to availability, and may differ from those originally supplied.

What is not covered?

- **Hairline Cracking:** Visible cracking around the joint areas of painted face frames, doors and other painted product is considered a natural characteristic of wood. Wood naturally expands and contracts with changes in humidity and temperature and is not covered under any implied warranty.
- **Fading or Aging:** Fading or aging of wood products due to photo-degradation (the effect of natural and artificial light on woods and finishes) of the products' finished appearance.
- **Installation:** This warranty does not cover damage caused by improper job site handling or installation. Improper door and drawer alignment caused by cabinets installed out of level, square or plumb are not covered. This warranty does not cover expenses involved in the removal or installation of any item or product otherwise covered by this warranty.

What will void the warranty?

Products deemed to have been neglected, abused, misused, improperly maintained or FAILURE BY THE CONSUMER TO PROVIDE PROOF OF PURCHASE VOIDS ANY CLAIM MADE UNDER THIS WARRANTY.

- **Humidity & Temperature Damage:** Humidity and temperature causes wood products to shrink, swell, crack or warp. The temperature inside your home should be within a range of 60°- 80° Fahrenheit and indoor relative humidity should have a range of 35% to 50%. Home environments beyond our guide are considered improper maintenance and will void warranty.
- **Water Damage:** Damage caused by exposure to water and/or damp cloths is considered improper care and will void warranty.

- **Neglecting Chips & Scratches:** Neglecting chips and scratches is considered improper maintenance. When chips or scratches are not properly touched up, they are a future point of product failure and will void warranty.
- **Product Modification:** This warranty does not cover damage caused by product modifications such as job site modifications, disassembly or refinishing.
- **Improper Storage:** Product stored in an uncontrolled environment before or during installation is considered improper maintenance and will void warranty.
- **Appliance Damage:** Appliance heat, steam, water or other factors related to appliance use that damage cabinetry are considered improper care and will void warranty.

THIS WARRANTY DOES NOT COVER INDIRECT, SPECIAL, INCIDENTAL, OR CONSEQUENTIAL DAMAGES, LOSS OF USE, OR LABOR EXPENSES IN UNINSTALLING OR INSTALLING ANY MATERIAL OR PARTS, WHETHER ARISING OUT OF BREACH OF WARRANTY, BREACH OF CONTRACT, NEGLIGENCE, TORT, OR ANY OTHER LEGAL THEORY, EVEN IF BOXY CABINETRY HAS BEEN ADVISED OF THE POSSIBILITY THEREOF. BOXY CABINETRY DISCLAIMS RESPONSIBILITY OF DAMAGES IN EXCESS OF YOUR PURCHASE PRICE. THIS WARRANTY EXCLUDES ALL INDUSTRIAL, COMMERCIAL AND BUSINESS USAGE.

9

CARE & MAINTENANCE

BOXY CABINETRY® CARE & MAINTENANCE

(Revised Nov 1st, 2022)

CABINET CARE AND MAINTENANCE

Frequent Care:

- Wipe spills and splatters promptly and dry immediately to avoid staining or damage.
- Do not place damp cloths or dishtowels over cabinet surfaces. Moisture from these can cause damage to cabinet finish.
- Keep cabinet surfaces dry by wiping off excess moisture on cabinets in areas that experience excessive humidity.
- Be cautious of objects hitting cabinet fronts that may cause chips and scratches to cabinet surfaces.
- Monitor the special attention areas listed.

Long-Term Care:

- Maintaining a consistent home environment by regulating temperature and humidity ensures stable and healthy conditions for cabinetry.
- Be sure to do a thorough cabinet exterior cleaning a few times a year. Cleaning small areas at a time is recommended.
- If left uncleaned, oils and contaminants can build up on frequently touched cabinet surfaces, especially around knobs and pulls.

Maintenance:

- Touch-up finishing may be required even with our high-quality finish. Cabinets may get chipped or scratched during installation or from common items like cutlery, jewelry or fingernails. Please contact your dealer for touch-up options and recommendations.
- Adjustments to cabinet hardware may be necessary from normal use. Occasional hinge screw tightening or door/drawer alignment may be required. Please contact your dealer for adjustment options and recommendations.

IMPORTANT: Improper cleaning, care and maintenance may cause permanent damage to cabinetry.

AREAS TO PAY SPECIAL ATTENTION

Sinks: Cabinets around the sink area require extra attention because of the proximity to water. Farm and apron sink cabinets are especially prone to water exposure. Be sure to dry promptly to prevent damage.

Self-Cleaning Ovens: Extreme heat from the self-cleaning feature can result in damage to surrounding cabinetry. To minimize the risk of damage, remove cabinet doors and drawers closest to the oven before using the self-cleaning feature.

Countertop Appliances: Avoid placing small kitchen appliances where heat and steam is directed onto cabinetry. Small appliances such as instant pots, coffee makers and crockpots create heat and steam and can cause permanent damage.

Trash Units: Trash pull-outs are one of the most used cabinets in a kitchen. Periodically wipe down the pull-out and check for chips or scratches on the cabinet finish.

Dishwashers: During the cleaning process, dishwashers generate heat and steam that can be directed onto surrounding cabinetry. Be sure to dry promptly to prevent damage.

Cooktops: Cabinetry can be exposed to heat, humidity and cooking splatter around cooktops. To avoid staining or damage on surrounding cabinetry, promptly wipe clean and dry.

MAINTAINING YOUR HOME ENVIRONMENT

Humidity and Moisture:

- Humidity and moisture are enemies of cabinetry, causing them to shrink, swell, crack or warp if not properly maintained.
- Kitchens and bathrooms should be well-ventilated to exhaust excess heat, humidity and contaminants.
- Indoor relative humidity should have a range of 35% to 50%.

Sun Light:

- Ultraviolet (UV) rays in natural sunlight affect the color appearance of your cabinets.
- Wood and painted finish colors can fade, darken or discolor if exposed to prolonged direct sunlight.
- “Mellowing” is the natural color change in wood caused by exposure to bright light and sunlight.

Temperature:

- The temperature inside your home should be within a range of 60°-80° Fahrenheit.
- Extreme changes to indoor temperature cause materials to swell or shrink, resulting in damage to cabinetry.
- Extreme heat from the self-cleaning oven feature can potentially damage surrounding cabinetry.

IMPORTANT: Exposure to extreme humidity, moisture and temperature will cause permanent damage to cabinetry.

